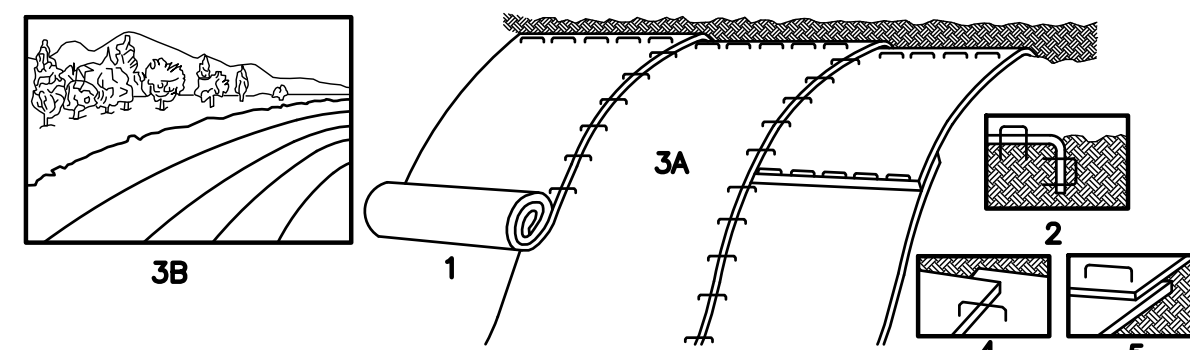


**EROSION & SEDIMENTATION CONTROL NARRATIVE**

1. THE EROSION & SEDIMENTATION CONTROL PLAN AND DETAILS HAVE BEEN DEVELOPED AS A STRATEGY TO CONTROL SOIL EROSION AND SEDIMENTATION DURING AND AFTER CONSTRUCTION. THIS PLAN IS BASED ON THE "2024 CONNECTICUT GUIDELINES FOR SOIL EROSION AND SEDIMENT CONTROL" BY THE CONNECTICUT COUNCIL ON SOIL AND WATER CONSERVATION IN COOPERATION WITH THE CONNECTICUT DEEP.
2. THE PROPOSED LOCATIONS OF SEDIMENT AND EROSION CONTROL MEASURES ARE SHOWN ON THE PLANS. THE CONTRACTOR SHALL PROVIDE SILT FENCE, STONE CHECK DAMS AND/OR OTHER EROSION CONTROL MEASURES AS NEEDED OR DIRECTED BY THE ENGINEER OR TOWN STAFF TO ADEQUATELY PREVENT SEDIMENT TRANSPORT.
3. EROSION AND SEDIMENTATION CONTROL MEASURES SHALL BE INSTALLED PRIOR TO SITE DISTURBANCE.
4. TOWN ZEO/WEO SHALL BE NOTIFIED PRIOR TO THE START OF CONSTRUCTION TO INSPECT SEDIMENTATION AND EROSION CONTROL MEASURES
5. THE CONTRACTOR SHALL INSPECT, REPAIR AND/OR REPLACE EROSION CONTROL MEASURES EVERY 7 DAYS AND IMMEDIATELY FOLLOWING ANY SIGNIFICANT RAINFALL OR SNOW MELT. SEDIMENT DEPOSITS MUST BE REMOVED WHEN WHEN DEPOSITS REACH APPROXIMATELY ONE HALF THE HEIGHT OF THE BARRIER. SEDIMENT CONTROL DEVICES SHALL REMAIN IN PLACE AND BE MAINTAINED BY THE CONTRACTOR UNTIL AREAS UPSLOPE ARE PERMANENTLY STABILIZED.
6. STAKED HAY BALE SILT BARRIERS AND/OR SILT FENCE SHALL BE INSTALLED AROUND ANY TEMPORARY STOCKPILE AREAS. TEMPORARY VEGETATIVE COVER MAY BE REQUIRED (SEE NOTES).
7. INLET SEDIMENTATION CONTROL DEVICES SHALL BE INSTALLED UNDER THE GRATES OF ALL NEW CATCH BASINS AT THE TIME OF INSTALLATION, AND UNDER THE GRATES OF EXISTING CATCH BASINS IN THE CONSTRUCTION AREA.
8. CONTINUOUS DUST CONTROL USING WATER OR APPROVED EQUAL SHALL BE PROVIDED FOR ALL EARTH STOCKPILES, EARTH PILED ALONG EXCAVATIONS, SURFACES OF BACKFILLED TRENCHES AND GRAVELED ROADWAY SURFACES. **THE USE OF CALCIUM CHLORIDE FOR DUST CONTROL SHALL BE PROHIBITED.**
9. IF DEWATERING IS NECESSARY DURING ANY TIME OF CONSTRUCTION A CLEAR WATER DISCHARGE SHALL BE PROVIDED.
10. ALL DISTURBED AREAS SHALL BE RESTORED PER THE SLOPE STABILIZATION AND PERMANENT VEGETATION DETAILS. ALL DISTURBED AREAS THAT ARE SLOPED LESS THAN THREE HORIZONTAL TO ONE VERTICAL (3:1) SLOPE SHALL BE LOAMED, SEEDED, FERTILIZED AND MULCHED PER THE PERMANENT VEGETATIVE COVER SPECIFICATIONS. EROSION CONTROL MATTING OR STABILIZED HYDROSEED SHALL BE PROVIDED ON ALL DISTURBED AREAS THAT ARE SLOPED MORE THAN THREE HORIZONTAL TO ONE VERTICAL (3:1).
11. IF FINAL SEEDING OF DISTURBED AREAS IS NOT TO BE COMPLETED BEFORE OCTOBER 15, THE CONTRACTOR SHALL PROVIDE TEMPORARY MULCHING (DORMANT SEEDING MAY BE ATTEMPTED AS WELL) TO PROTECT THE SITE AND DELAY PERMANENT SEEDING.
12. WHEN FEASIBLE, TEMPORARY SEEDING OF DISTURBED AREAS THAT HAVE NOT BEEN FINISHED GRADED SHALL BE COMPLETED PRIOR TO OCTOBER 15.
13. ANY EROSION WHICH OCCURS WITHIN THE DISTURBED AREAS SHALL BE IMMEDIATELY REPAIRED AND STABILIZED. DURING THE CONSTRUCTION PHASE, INTERCEPTED SEDIMENT SHALL BE RETURNED TO THE SITE. POST SEEDING, INTERCEPTED SEDIMENT, IF ANY, SHALL BE DISPOSED OF IN A MANNER APPROVED BY THE TOWN AND ENGINEER.
14. EROSION AND SEDIMENTATION CONTROL MEASURES SHALL REMAIN IN PLACE UNTIL VEGETATION IS RE-ESTABLISHED OR SLOPES ARE STABILIZED AND REMOVAL IS APPROVED BY THE ZEO/WEO.
15. UNFORESEEN PROBLEMS WHICH ARE ENCOUNTERED IN THE FIELD SHALL BE SOLVED ACCORDING TO THE "2024 CONNECTICUT GUIDELINES FOR SOIL EROSION AND SEDIMENT CONTROL" BY THE CONNECTICUT COUNCIL ON SOIL AND WATER CONSERVATION IN COOPERATION WITH THE CONNECTICUT DEEP.
16. THE OWNER'S REPRESENTATIVE SHALL BE RESPONSIBLE FOR THE EROSION AND SEDIMENTATION CONTROLS

WILLIAM PIENADZ  
P&H CONSTRUCTION  
Cell: 860-608-9890  
bill@pandhconstruction.com

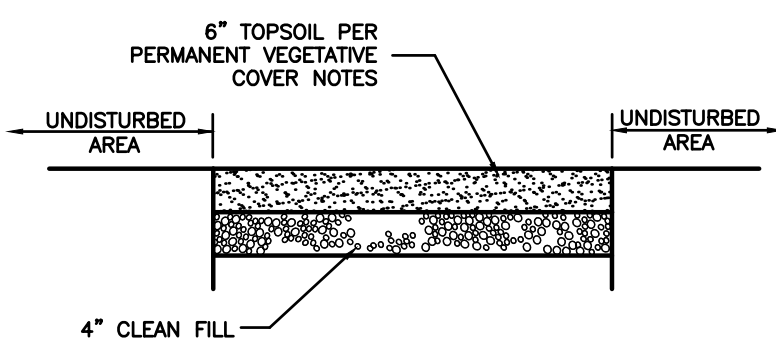


- INSTALLATION NOTES:**
1. PROVIDE 4" THICKNESS OF TOPSOIL OVER CLEAN FILL. PREPARE SOIL BEFORE INSTALLING BLANKETS, INCLUDING APPLICATION OF LIME, FERTILIZER, AND SEED MIX PER PERMANENT VEGETATIVE COVER NOTES. (SHALL BE PAID FOR AT THE UNIT PRICE FOR LOAM, SEED, FERTILIZER & MULCH)
  2. BEGIN AT THE TOP OF THE SLOPE BY ANCHORING THE BLANKET IN 6" DEEP x 6" WIDE TRENCH, BACKFILL AND COMPACT THE TRENCH AFTER STAPLING.
  3. ROLL THE BLANKET (A) DOWN OR (B) HORIZONTALLY ACROSS THE SLOPE.
  4. THE EDGES OF PARALLEL BLANKETS MUST BE STAPLED WITH APPROXIMATELY 2" OVERLAP.
  5. WHEN BLANKETS MUST BE SPICED DOWN THE SLOPE, PLACE BLANKETS END OVER END (SHINGLE STYLE) WITH APPROXIMATELY 4" OVERLAP. STAPLE THROUGH OVERLAPPED AREA, APPROXIMATELY 12" APART.
- PRODUCT NOTES:**
1. EROSION CONTROL MATTING MUST BE LISTED ON THE LATEST CT DOT QUALIFIED PRODUCTS LIST UNDER CLASS E SLOPE PROTECTION, TYPE D.

**EROSION CONTROL MATTING DETAIL (FOR 3:1 SLOPES OR STEEPER)**

- NOTES:**
1. HYDROSEED SHALL BE INSTALLED IN ACCORDANCE WITH SECTION 9.5.3.b OF DOT FORM 818.
  2. BONDED FIBER MATRIX (BFM) OR FLEXIBLE GROWTH MEDIUM (FGM) MUST BE INCLUDED IN THE HYDROSEED SLURRY. MIX RATE PERCENTAGES SHALL BE IN ACCORDANCE WITH THE MANUFACTURERS RECOMMENDATIONS FOR THE FINISHED SLOPES. THE FOLLOWING ARE ACCEPTABLE PRODUCTS:
- A. PROFILE FLEXITERRA FGM
  - B. PROFILE HYDRO-BLANKET BONDED FIBER MATRIX
  - C. MAT. INC. SOIL GUARD BONDED FIBER MATRIX
  - D. NORTH AMERICAN GREEN HYDRA GI OR HYDRA CM
3. THE REQUIRED SEED MIX SHALL BE IN ACCORDANCE WITH THE PERMANENT VEGETATIVE COVER NOTES. ALL APPLICATION RATES SHALL BE INCREASED BY 10% FOR HYDROSEEDING.
  4. THE CONTRACTOR SHALL ENSURE 100% COVERAGE OF THE DISTURBED SOIL

**HYDROSEED REQUIREMENTS (FOR 3:1 SLOPES OR STEEPER)**



**TYPICAL LOAM & SEED SECTION DETAIL (FOR ALL DISTURBED AREAS)**

**SLOPE STABILIZATION DETAILS**

NOT TO SCALE

**TEMPORARY VEGETATIVE COVER**

A TEMPORARY SEEDING OF RYE GRASS WILL BE COMPLETED WITHIN 15 DAYS OF THE FORMATION OF STOCKPILES. IF THE SOIL IN THE STOCKPILES HAS BEEN COMPACTED BY CONSTRUCTION OPERATIONS IT SHALL BE LOOSENED TO A DEPTH OF 2 INCHES BEFORE THE FERTILIZER, LIME AND SEED IS APPLIED. 10-10-10 FERTILIZER AT A RATE OF 7.5 POUNDS PER 1000 S.F. LIMESTONE AT A RATE OF 90 LBS. PER 1000 S.F. SHALL BE USED. RYE GRASS APPLIED AT A RATE OF 1 LB. PER 1000 S.F. SHALL PROVIDE THE TEMPORARY VEGETATIVE COVER. STRAW FREE FROM WEEDS AND COARSE MATTER SHALL BE USED AT A RATE OF 70-90 LBS. PER 1000 S.F. AS A TEMPORARY MULCH. APPLY MULCH AND DRIVE TRACKED EQUIPMENT UP AND DOWN SLOPE OVER ENTIRE SURFACE SO CLEAT MARKS ARE PARALLEL TO THE CONTOURS.

**PERMANENT VEGETATIVE COVER**

TOPSOIL WILL BE REPLACED ONCE THE EXCAVATIONS HAVE BEEN COMPLETED AND THE SLOPES ARE GRADED AS SHOWN ON THE PLANS. PROVIDE SLOPE PROTECTION AS CALLED FOR ON THE PLANS AND DETAILS. TOPSOIL SHALL BE SPREAD AT A MINIMUM COMPACTED DEPTH OF 6 INCHES. ONCE THE TOPSOIL HAS BEEN SPREAD, ALL STONES TWO INCHES OR LARGER IN ANY DIMENSION WILL BE REMOVED AS WELL AS DEBRIS.

- APPLY AGRICULTURAL GROUND LIMESTONE AT THE RATE OF TWO TONS PER ACRE OR 100 LBS. PER 1000 S.F.
- APPLY 10-10-10 FERTILIZER OR EQUIVALENT AT A RATE OF 300 LBS. PER ACRE OR 7.5 LBS. PER 1000 S.F.
- WORK LIMESTONE AND FERTILIZER INTO THE SOIL TO A DEPTH OF 4 INCHES.
- INSPECT SEEDBED BEFORE SEEDING.
- IF TRAFFIC HAS COMPACTED THE SOIL, RETILL COMPACTED AREAS.
- APPLY THE FOLLOWING GRASS SEED MIX:

**TYPICAL SEED MIXTURE**

THE NEW ENGLAND ROADSIDE MATRIX UPLAND SEED MIX BY NEW ENGLAND WETLAND PLANTS, INC.

APPLICATION RATE: 35 LBS./ACRE : 1,250 SF/LB. MIX IS DESIGNED FOR USE ALONG ROADS AND HIGHWAYS. THIS MIX CONTAINS NATIVE GRASSES, WILDFLOWERS, AND SHRUBS THAT ARE BLENDED TOGETHER AS A NATIVE MATRIX SEED MIX. IN AREAS THAT RECEIVE FREQUENT MOWING, THE COLD SEASON GRASSES WILL DOMINATE, SUCH AS THOSE AREAS CLOSEST TO THE ROADWAY SHOULDER. IN AREAS FARTHER TO THE ROAD, WHICH MAY BE MOWN ONLY ONCE EACH YEAR, OR IN HARD TO MOW AREAS, SUCH AS AROUND SIGNPOSTS, THE WILDFLOWER COMPONENT WILL BECOME DOMINANT. ALONG CUTS AND SIDE SLOPES WHICH MAY NEVER BE MOWN, THE SHRUB COMPONENT WILL ADD DIVERSITY AND BEAUTY TO THE ROADSIDE PLANTINGS. IT IS A PARTICULARLY APPROPRIATE SEED MIX FOR ROADSIDES, INDUSTRIAL SITES, OR CUT AND FILL SLOPES. THIS MIX MAY BE APPLIED BY HYDROSEEDING, OR BY MECHANICAL SPREADER, ALWAYS APPLY ON A CLEAN, WEED-FREE SEED BED. AFTER SOWING, LIGHTLY RAKE OR ROLL THE SITE TO IMPROVE SEED-TO-SOIL CONTACT. BEST RESULTS ARE OBTAINED WITH A MID-LATE SPRING SEEDING. SUMMER SEEDING WILL BENEFIT FROM A LIGHT MULCHING OF CLEAN, WEED-FREE STRAW TO CONSERVE SOIL MOISTURE.

**TYPICAL SEED MIXTURE FOR NON-MOWED SLOPES (3:1 OR STEEPER)**

CT DEP SEED MIX NO. 26	LBS./ACRE	LBS./1000 S.F.
SWITCHGRASS (BLACKWELL, SHELTER, CAVE-IN-ROCK)	4.0	0.10
BIG BLUESTEM (NAGRA, KAW)	4.0	0.10
LITTLE BLUESTEM (BLAZE, ALDOUS, CAMPER)	2.0	0.05
SAND LOVEGRASS (NE-27, BEND)	1.5	0.03
BIRD'S-FOOT TREFLOIL (EMPIRE VIKING)	2.0	0.05
	13.5	0.33

THE RECOMMENDED SEEDING DATES ARE:  
APRIL 1 - JUNE 15 AND AUGUST 15 - OCTOBER 15

IMMEDIATELY FOLLOWING SEEDING, FIRM SEED BED WITH A ROLLER AND MULCH WITH WEED FREE STRAW. IF PERMANENT VEGETATIVE COVER IS HAS NOT BEEN ESTABLISHED BY OCTOBER 15, APPLY A TEMPORARY VEGETATIVE COVER ON THE TOPSOIL.

**VEGETATIVE COVER FOR WATER QUALITY BASINS**

SEED MIXTURE FOR SETTLING BASINS SHALL BE THE "NEW ENGLAND EROSION CONTROL/RESTORATION MIX FOR MOIST SITES" FROM NEW ENGLAND WETLAND PLANTS, AMHERST, MA, TELEPHONE NO. 413-548-8000

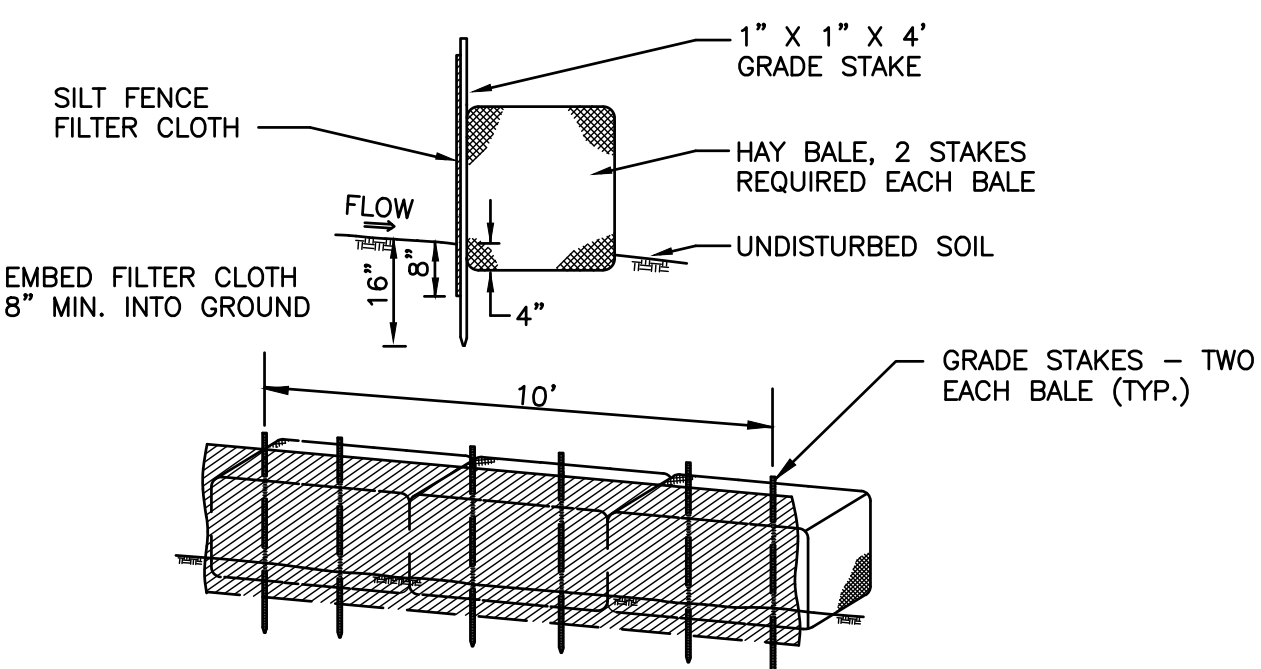
THE BEST RESULTS ARE OBTAINED WITH A SPRING SEEDING. SUMMER AND FALL SEEDING REQUIRE A LIGHT MULCHING OF WEED FREE STRAW TO CONSERVE MOISTURE. LATE FALL AND WINTER DORMANT SEEDING REQUIRE A 10% INCREASE IN THE SEEDING RATE. FERTILIZATION IS NOT REQUIRED UNLESS THE SOILS ARE PARTICULARLY INFERTILE.

**RAIN GARDEN SEED MIXTURE**

LBS./ACRE	LBS./1000 S.F.
35	0.80

NEW ENGLAND EROSION CONTROL/RESTORATION MIX FOR DETENTION BASINS AND MOIST SITES

SPECIES: Virginia Wild Rye, (Elymus virginicus), Creeping Red Fescue, (Festuca rubra), Little Bluestem, (Schizachyrium scoparium), Big Bluestem, (Andropogon gerardii), Fox Sedge, (Carex vulpinoidea), Switch Grass, (Panicum virgatum), Rough Bentgrass, (Agrostis scabra), New England Aster, (Aster novae-angliae), Boneset, (Eupatorium perfoliatum), Gross Leaved Goldenrod, (Euthamia graminifolia), Green Bulrush, (Scirpus atrovirens), Blue Vervain, (Verbena hastata), Soft Rush, (Juncus effusus), Wool Grass, (Scirpus cyperinus)



**CONSTRUCTION NOTES:**

1. SILT FENCE FILTER CLOTH TO BE SECURELY FASTENED TO GRADE STAKE WITH STAPLES, 6" ON CENTER.
2. WHEN TWO SECTIONS OF FILTER CLOTH ADJOIN ONE ANOTHER THEY SHALL OVERLAP BY 6" AND BE FOLDED.
3. BALES SHALL BE PLACED IN A ROW WITH ENDS TIGHTLY ABUTTING THE ADJACENT BALES.

**SILT FENCE & HAYBALE DETAIL**

NOT TO SCALE

APPROVED BY THE MONTVILLE PLANNING AND ZONING COMMISSION

FINAL APPROVAL: \_\_\_\_\_ DATE \_\_\_\_\_

CHAIRMAN SIGNATURE \_\_\_\_\_

DATE OF APPROVAL: \_\_\_\_\_

EXPIRATION DATE: \_\_\_\_\_

**STORMWATER MANAGEMENT & POLLUTION PREVENTION PLAN**

**DURING CONSTRUCTION**

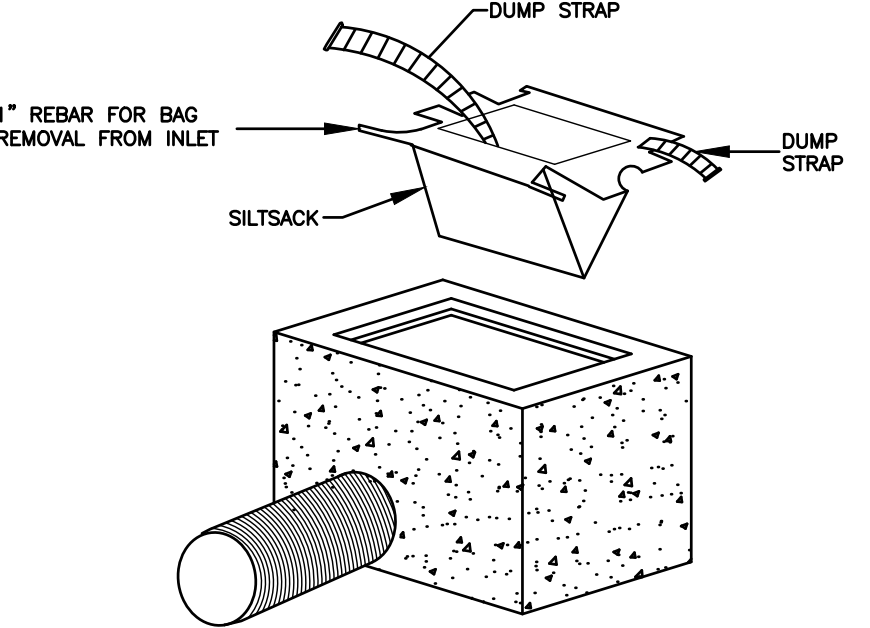
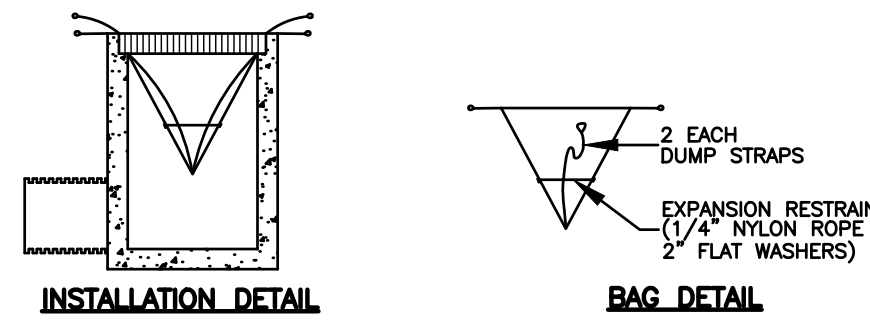
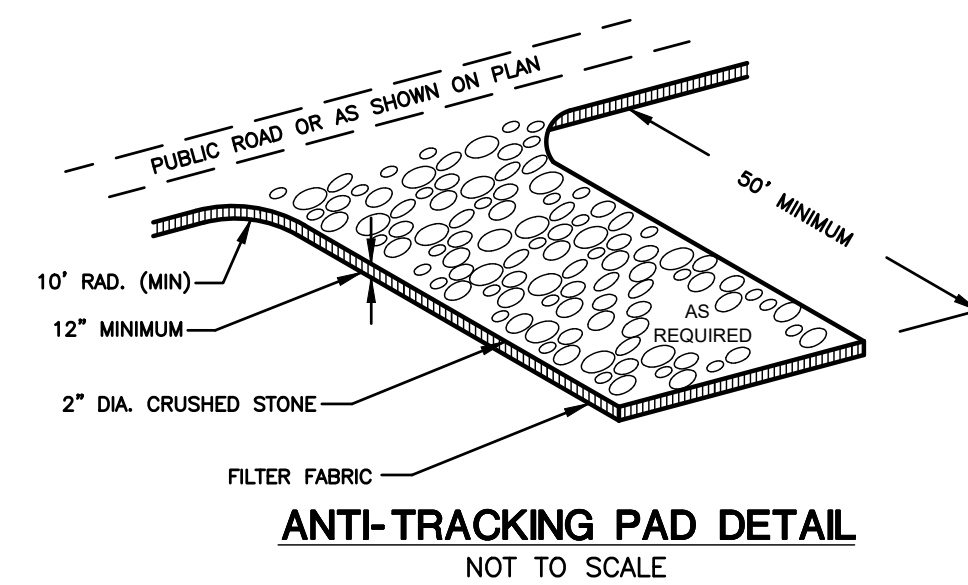
1. **POLLUTION PREVENTION TEAM:** THE CONTRACTOR SHALL BE RESPONSIBLE FOR CARRYING OUT THE PROVISIONS OF THIS PLAN.
2. **SWEEPING:** PARKING LOTS, SIDEWALKS AND OTHER IMPERVIOUS SURFACES BEYOND THE WORK SITE SHALL BE SWEEPED CLEAN OF SAND, SILT AND LITTER DAILY AT THE END OF THE WORK DAY.
3. **OUTSIDE STORAGE:** ACCESSORIES OR EQUIPMENT STORED OUTSIDE SHALL BE COVERED OR MAINTAINED TO MINIMIZE POSSIBILITY OF THESE MATERIALS OR THEIR RESIDUE PASSING TO STORM WATER.
4. **WASHING:** NO WASHING OF VEHICLES, ACCESSORIES, EQUIPMENT, OR APPLIANCES IN WORK SITE.
5. **MAINTENANCE AND INSPECTION:**
  - A. THE CONTRACTOR SHALL INSPECT, REPAIR AND/OR REPLACE EROSION CONTROL MEASURES EVERY 7 DAYS AND IMMEDIATELY FOLLOWING ANY RAINFALL OF 1/2" OR MORE, OR SIGNIFICANT SNOW MELT.
  - B. SEDIMENT DEPOSITS MUST BE REMOVED AND DISPOSED OF WHEN THEY REACH THE FOLLOWING LEVELS:
    - SILT FENCE OR HAY BALES: ONE HALF THE HEIGHT OF THE SILT FENCE OR HAY BALE BARRIER.
    - INLET SEDIMENT CONTROL DEVICES (SILT SACKS): ONE HALF THE STORAGE VOLUME OF THE DEVICE OR WHEN THE RESTRAINT CORD IS NO LONGER VISIBLE.
    - STONE CHECK DAMS AT INLETS: ONE HALF OF THE TEMPORARY SEDIMENT POOL HEIGHT.
  - C. DAILY DUST CONTROL USING WATER OR APPROVED EQUAL SHALL BE PROVIDED FOR ALL EARTH STOCKPILES, EARTH PILED ALONG EXCAVATIONS, SURFACES OF BACKFILLED TRENCHES AND GRAVELED SURFACES.
  - D. SILT FENCE AND INLET SEDIMENT CONTROL DEVICES SHALL BE REPLACED WITH RIPS OR DETERIORATION IN THE GEOTEXTILE FABRIC ARE FOUND ON INSPECTION. HAY BALES SHALL BE REPLACED IF THEY HAVE DETERIORATED OR DECOMPOSED TO THE POINT WHERE THEY HAVE LOST STRUCTURAL INTEGRITY. CRUSHED STONE SHALL BE REMOVED AND REPLACED IF SILT HAS ACCUMULATED WITH THE STONE VOIDS TO PREVENT THE PASSAGE OF WATER THROUGH THE STONE.
6. **SPILLS OR ACCIDENTAL DISCHARGES:**
  - A. COMPLY WITH STATE AND FEDERAL REGULATIONS TO CONTAIN AND CLEAN UP ANY SPILL OR DISCHARGE AND DISPOSE OF MATERIALS AT AN APPROVED FACILITY.
  - B. CONTACT CONNECTICUT DEEP OIL AND CHEMICAL SPILL RESPONSE DIVISION (860) 424-3338
  - C. THE FOLLOWING STEPS SHOULD BE PERFORMED AS SOON AS POSSIBLE:
    - STOP THE SOURCE OF THE SPILL
    - CONTAIN THE SPILL
    - COVER SPILL WITH ABSORBENT MATERIAL SUCH AS KITTY LITER, SAWDUST OR OIL ABSORBENT PADS. DO NOT USE STRAW.
    - DISPOSE OF ABSORBER IN ACCORDANCE WITH LOCAL AND STATE REGULATIONS.

**POST CONSTRUCTION**

1. **POLLUTION PREVENTION TEAM:** THE OWNERS SHALL BE RESPONSIBLE FOR CARRYING OUT THE PROVISIONS OF THIS PLAN.
2. **SWEEPING:** PARKING LOTS, SIDEWALKS AND OTHER IMPERVIOUS SURFACES SHALL BE SWEEPED CLEAN OF SAND AND LITTER AND ANY OTHER POLLUTANTS AT LEAST TWICE PER YEAR.
  - A. BETWEEN NOVEMBER 15 AND DECEMBER 15 (AFTER LEAF FALL)
  - B. DURING APRIL (AFTER SNOW MELT)
3. **OUTSIDE STORAGE:** ACCESSORIES OR EQUIPMENT STORED OUTSIDE SHALL BE COVERED OR MAINTAINED TO MINIMIZE POSSIBILITY OF THESE MATERIALS OR THEIR RESIDUE PASSING TO STORM WATER.
4. **WASHING:** NO WASHING OF VEHICLES, ACCESSORIES, EQUIPMENT OR APPLIANCES IN PARKING AREAS.
5. **MAINTENANCE AND INSPECTION:** SEE OPERATIONS AND MAINTENANCE SCHEDULE
6. **SPILLS OR ACCIDENTAL DISCHARGES:**
  - A. COMPLY WITH STATE AND FEDERAL REGULATIONS TO CONTAIN AND CLEAN UP ANY SPILL OR DISCHARGE AND DISPOSE OF MATERIALS AT AN APPROVED FACILITY.
  - B. CONTACT CONNECTICUT DEEP OIL AND CHEMICAL SPILL RESPONSE DIVISION (860) 424-3338
  - C. THE FOLLOWING STEPS SHOULD BE PERFORMED AS SOON AS POSSIBLE:
    - STOP THE SOURCE OF THE SPILL
    - CONTAIN THE SPILL
    - COVER SPILL WITH ABSORBENT MATERIAL SUCH AS KITTY LITER, SAWDUST OR OIL ABSORBENT PADS. DO NOT USE STRAW.
    - DISPOSE OF ABSORBER IN ACCORDANCE WITH LOCAL AND STATE REGULATIONS.

NOTE: THE CONTRACTOR SHALL CONTINUALLY STORE THE FOLLOWING MATERIALS ONSITE DURING CONSTRUCTION TO MEET UNEXPECTED EROSION NEEDS

- 100 LF OF SILT FENCE
- 10 HAY BALES
- 10 CY OF WOOD CHIPS OR CRUSHED STONE



**CONSTRUCTION NOTES:**

NOTE: TO BE PROVIDED IN ALL NEW CATCH BASINS AT THE TIME OF INSTALLATION AND WITHIN BASINS ADJACENT TO THE WORK AREA PRIOR TO THE START OF CONSTRUCTION

**INLET SEDIMENT CONTROL DEVICE DETAIL**

**Maintenance Schedule for Trailer Storage Areas**

Activity	Schedule
Sweep parking lots & impervious areas	<ul style="list-style-type: none"> <li>• Between November 15<sup>th</sup> and December 15<sup>th</sup> (after leaf fall)</li> <li>• During April (after snow melt)</li> </ul>
Remove and dispose of trash and debris onsite	Daily - As needed maintenance

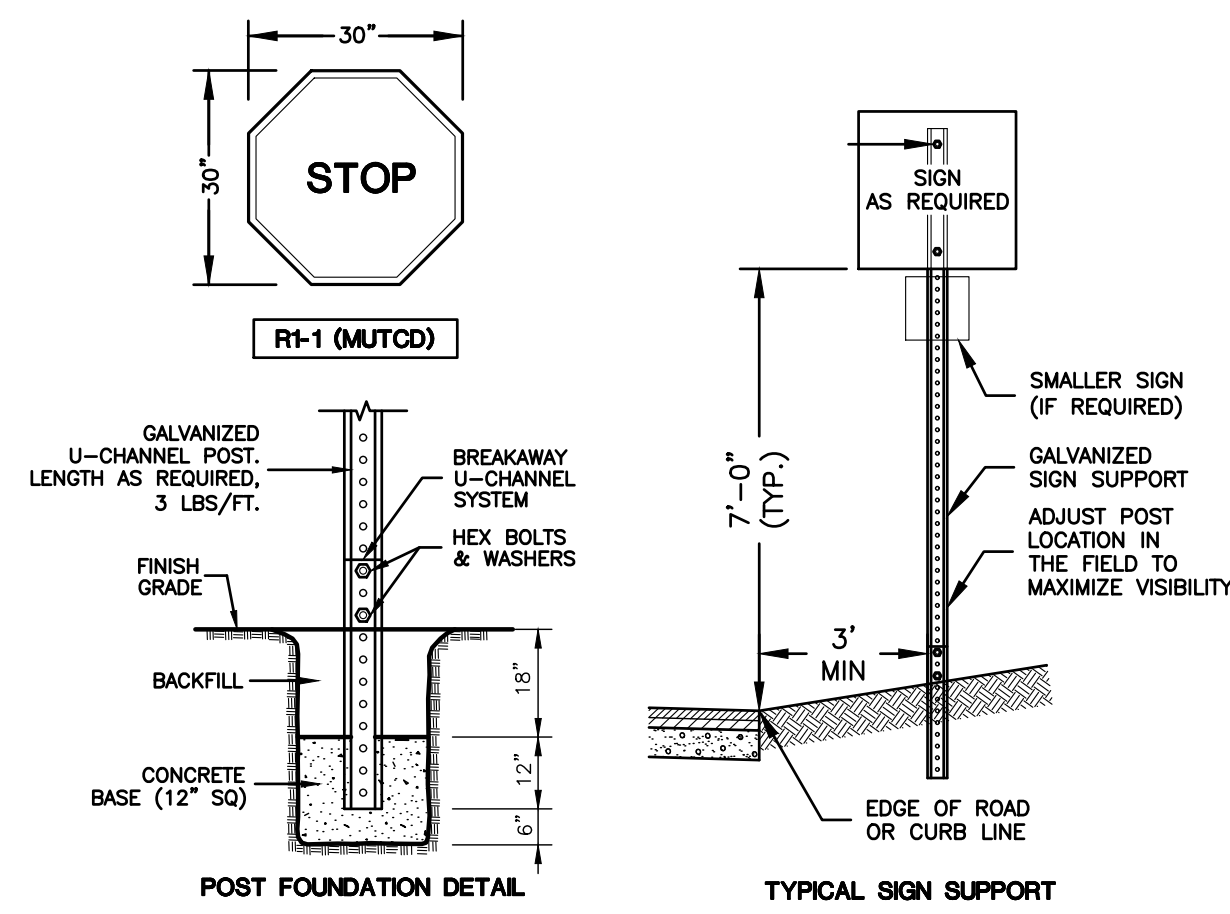
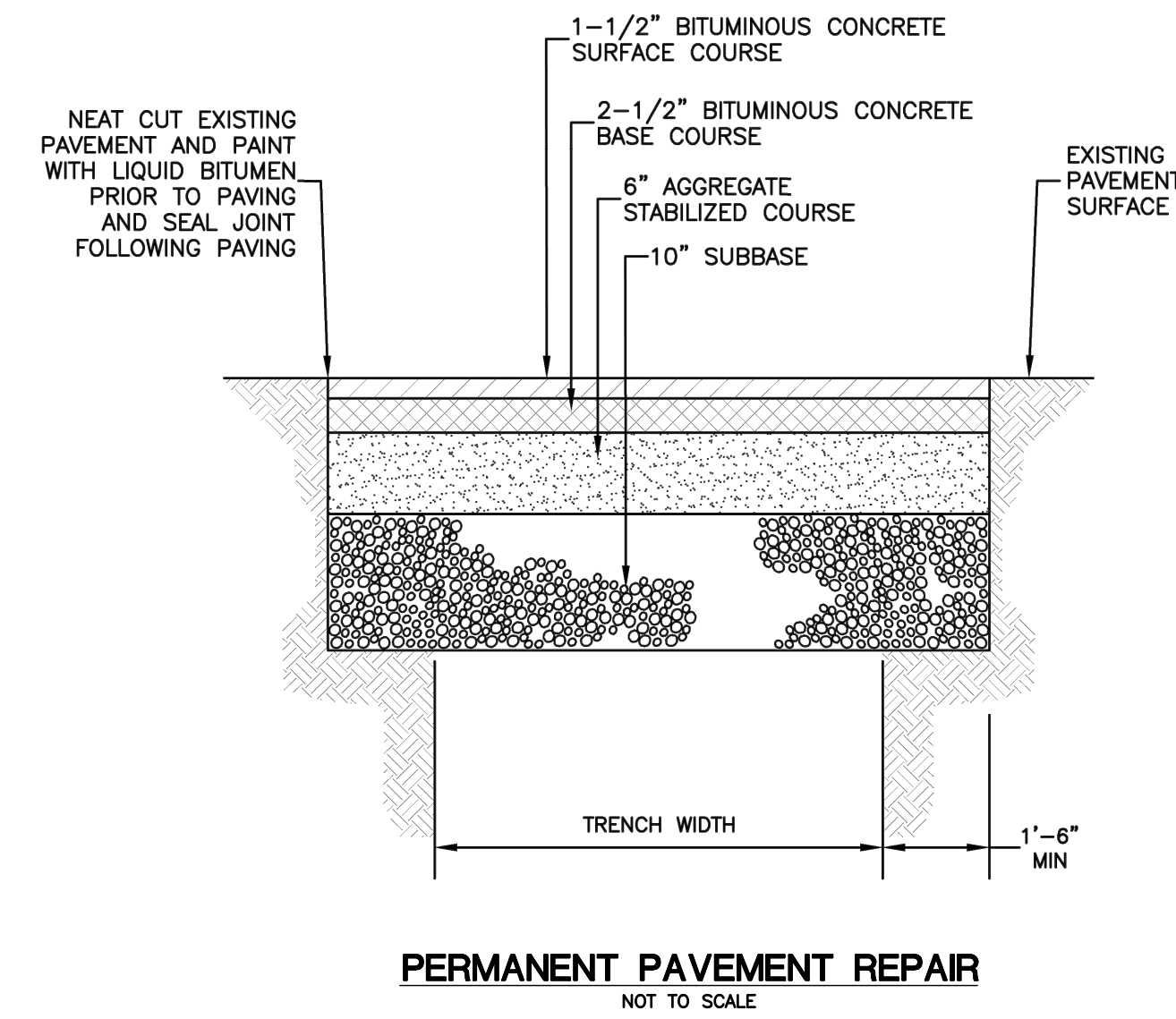
**Maintenance Schedule for Qualifying Pervious Area (QPA)**

Activity	Schedule
Sweep impervious areas	<ul style="list-style-type: none"> <li>• Between November 15<sup>th</sup> and December 15<sup>th</sup> (after leaf fall)</li> <li>• During April (after snow melt)</li> </ul>
Inspect QPA for erosion and loss of vegetation	Annually - As needed maintenance
Remove and dispose of trash and debris onsite	Annually - As needed maintenance

Maintenance Schedule for Stormwater Basins	
Activity	Schedule
Prior to new spring growth reaching a height of 2" (e.g., shortly after forsythia or redbud blooms), trim any material standing from the previous year close to the ground (approximately 2"). This will allow the soil to warm more quickly, which will stimulate the emergence and growth of native seedlings and reduce the likelihood of the meadow being invaded by shrubs.	
Problem weeds should be hand pulled or spot sprayed with an approved herbicide, such as Rodeo® or Garlon® 3A. If you did not plant vines or spiny plants as part of your mix, be vigilant about controlling them. These are more easily pulled when they are young rather than after they have had two to three months of growth. Examples include bidweed, blackberry, multiflora rose, mile-a-minute and Japanese hops. Be equally vigilant about controlling other invasive species, such as autumn olive and Japanese knotweed.	Second growing season
<b>Special Circumstances</b> If you notice a heavy infestation of ragweed or foxtail in the second growing season, trim the meadow to a height of 8". Trimming should cease by mid-September.	
For the basin and side slopes, inspect for invasive vegetation. Grassy weeds or persistent perennials can re-establish in these soils. Monitor and control weeds by hand pulling or spot spraying.	Monthly
Inspect for damage, undercut, or eroded area Inspect Sediment Forebay and monitor for sediment accumulation. Remove any trash and organic debris (leaves) in spring & fall. Remove sediment from the sediment forebay or other pretreatment area when it accumulates to a depth of more than 12 inches or 50% of the design depth. Clean outlet of sediment forebay or other pretreatment measures when drawdown time exceeds 36 hours after the end of a storm event. Remove sediment from the infiltration basin surface when the sediment accumulation exceeds 2 inches or when drawdown time exceeds 48 hours after the end of a storm event, indicating that the system is clogged. Weed as necessary. Mow grass within infiltration basin to a height of 3 to 6 inches. Maintain a healthy, vigorous stand of grass cover; re-seed as necessary. Clean and remove debris & sediment from inlet and outlet structures. Mow side slopes. Close mowing throughout the regular growing season or extensive chemical use is not conducive to water quality improvement and wildlife habitat. Spring mowed vegetation can typically remain within basins providing cover for new emerging vegetation.	Semi-Annually
Repair undercut or eroded areas.	As needed maintenance

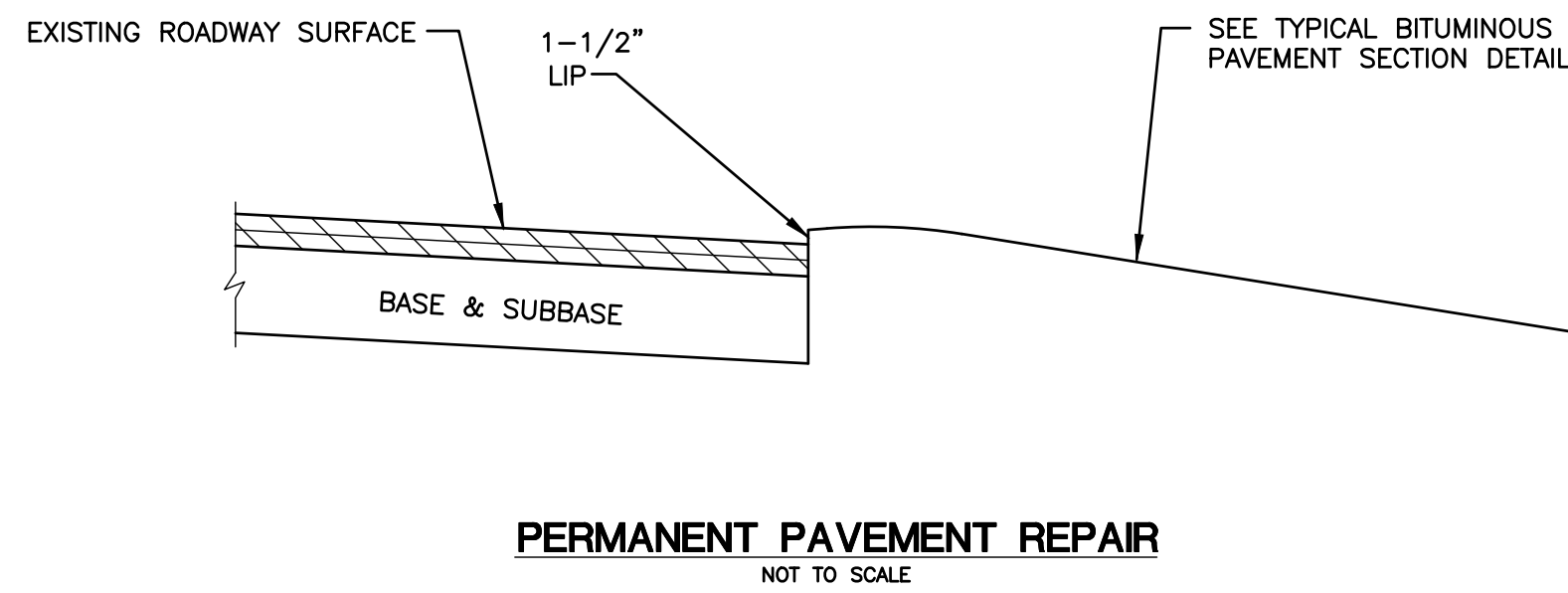
<p><b>CLA Engineers, Inc.</b> Civil - Structural - Surveying</p> <p>317 Main Street Norwich, CT 06360 (860) 886-1066 Fax (860) 886-9165</p>		<p>Project No. CLA-7767F</p> <p>Proj. Engineer D.P.H.</p> <p>Date: 06/02/25</p> <p>Sheet No. 7</p>
<p><b>FOR PERMITTING ONLY NOT FOR CONSTRUCTION</b></p>		<p>RAND-WHITNEY REALTY, LLC</p> <p>PROPOSED TRAILER STORAGE 375 MAPLE AVENUE &amp; ROUTE 163 MONTVILLE, CT</p> <p>E&amp;S NOTES &amp; DETAILS</p>



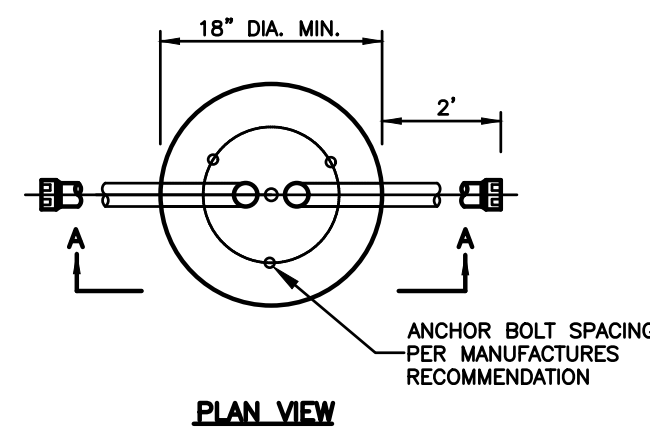


- NOTES:
1. SIGNS AND PAINTED PAVEMENT MARKINGS SHALL CONFORM TO THE MANUAL ON UNIFORM TRAFFIC CONTROL DEVICES FOR STREETS AND HIGHWAYS, LATEST EDITION.
  2. SIGNS SHALL BE INSTALLED IN ACCORDANCE WITH STATE OF CT D.O.T. STANDARDS.
  3. SIGNS AND POSTS SHALL CONFORM TO ARTICLE 12.08 OF THE DOT 818 SPECIFICATIONS.
  4. SIGN COLORS SHALL CONFORM TO DOT SPECIFICATIONS. ALL COLORS SHALL BE RETROREFLECTIVE WITH THE EXCEPTION OF BLACK WHICH SHALL BE OPAQUE.
  5. SIGNS SHALL BE "BRIGHT WIDE ANGLE RETROREFLECTIVE SHEETING".
  6. SIGNS SHALL BE ALUMINUM, 0.100 THICK UNLESS OTHERWISE SPECIFIED.
  7. PAINTED PAVEMENT MARKINGS SHALL CONFORM WITH ARTICLE 12.09 OF THE DOT 817.
  8. STOP BARS SHALL BE 12" WIDE WHITE EPOXY RESIN.
  9. PARKING LOT STRIPING, PARKING STALL STRIPING, AND HATCHING SHALL BE 4" WIDE WHITE EPOXY RESIN STRIPES.

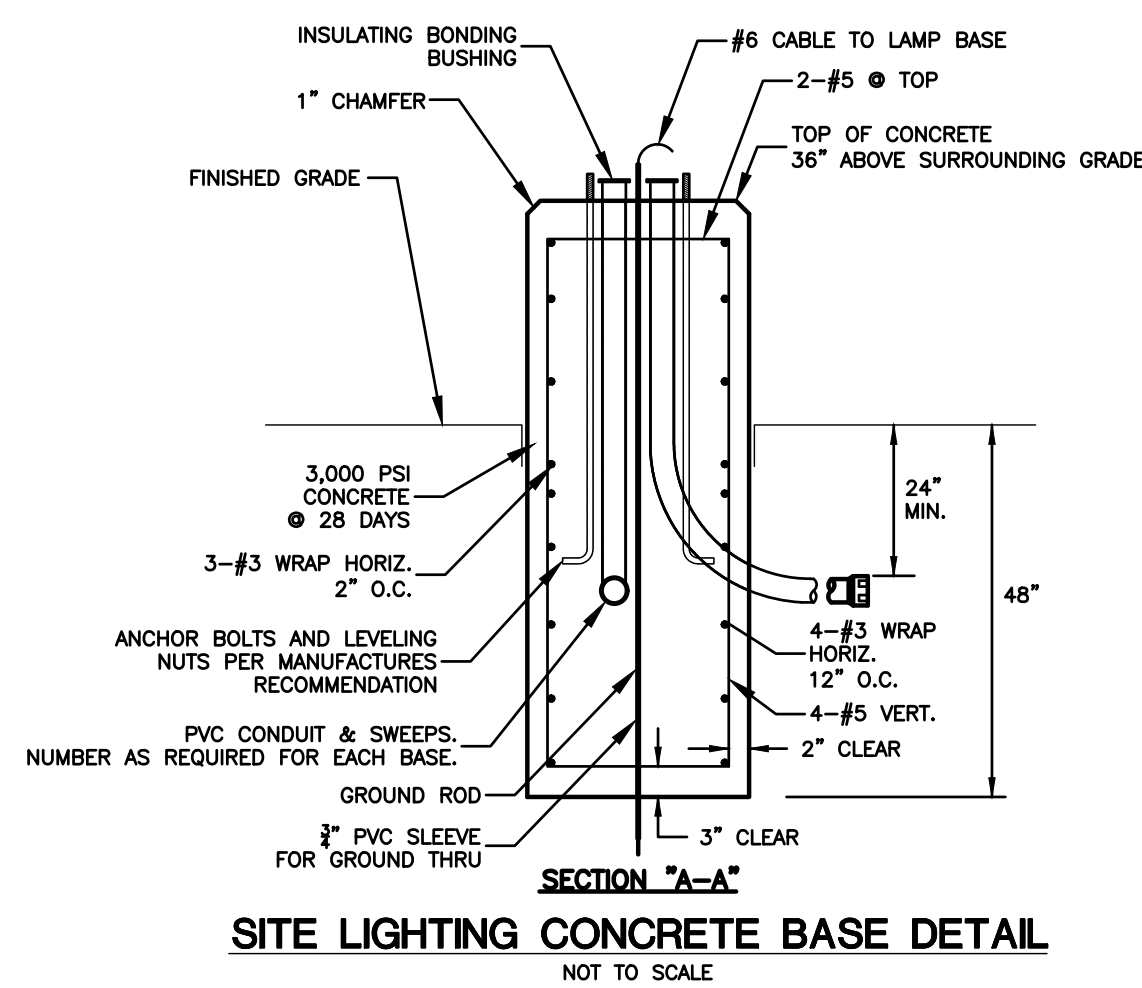
**TRAFFIC SIGNING & PAVEMENT MARKING DETAILS**  
NOT TO SCALE



**PERMANENT PAVEMENT REPAIR**  
NOT TO SCALE



PLAN VIEW



SECTION "A-A"  
SITE LIGHTING CONCRETE BASE DETAIL  
NOT TO SCALE

**D-Series Size 1 LED Area Luminaire**

Specifications:

- EPA: 0.69 ft<sup>2</sup> (0.06 m<sup>2</sup>)
- Length: 32.71" (83.1 cm)
- Width: 14.26" (36.2 cm)
- Height H1: 7.88" (20.0 cm)
- Height H2: 2.73" (6.9 cm)
- Weight: 34 lbs (15.4 kg)

**FEATURES & SPECIFICATIONS**

**INTENDED USE** — These specifications are for USA standards only. Square Straight Steel is a general purpose light pole for up to 39-foot mounting heights. This pole provides a robust yet cost effective option for mounting area lights and floodlights.

**CONSTRUCTION** — Pole Shaft: The pole shaft is of uniform dimension and wall thickness and is made of a weldable, grade, hot-rolled, commercial-quality steel tubing with a minimum yield of 55 KSI (1-gauge, 0.120"), or 50 KSI (7-gauge, 0.179"). Shaft is one-piece with full-length longitudinal high-frequency electric resistance weld. Uniformly square in cross-section with flat sides, small corner radii and excellent torsional qualities. Available shaft widths are 4", 5" and 6". Pole Top: Options include 4" teardrop top, drilled for side mount fixture, teardrop with drilling (includes extra hardware) and open top. Side drilled and open top poles include a removable top cap.

**Handhole:** A reinforced handhole with grounding provision is provided at 18" from the base on side A. Positioning the handhole lower may not be possible and requires engineering review; consult Tech Support-Outdoor for further information. Every handhole includes a cover and cover attachment hardware. The handhole has a nominal dimension of 2.5" x 5".

**Base Cover:** A durable ABS plastic two-piece full base cover, finished to match the pole, is provided with each pole assembly. Additional base cover options are available upon request.

**Anchor Base/Boltz:** Anchor base is fabricated from steel that meets ASTM A36 standards and can be altered to match existing foundations; consult factory for modifications. Anchor bolts are manufactured to ASTM F1554 Standards grade 55, (55 KSI minimum yield strength and tensile strength of 75-95 KSI). Top flanged portion (nominal 12") is hot-dipped galvanized per ASTM A-153.

**HARDWARE** — All structural fasteners are high-strength galvanized carbon steel. All non-structural fasteners are galvanized or zinc-plated carbon steel or stainless steel.

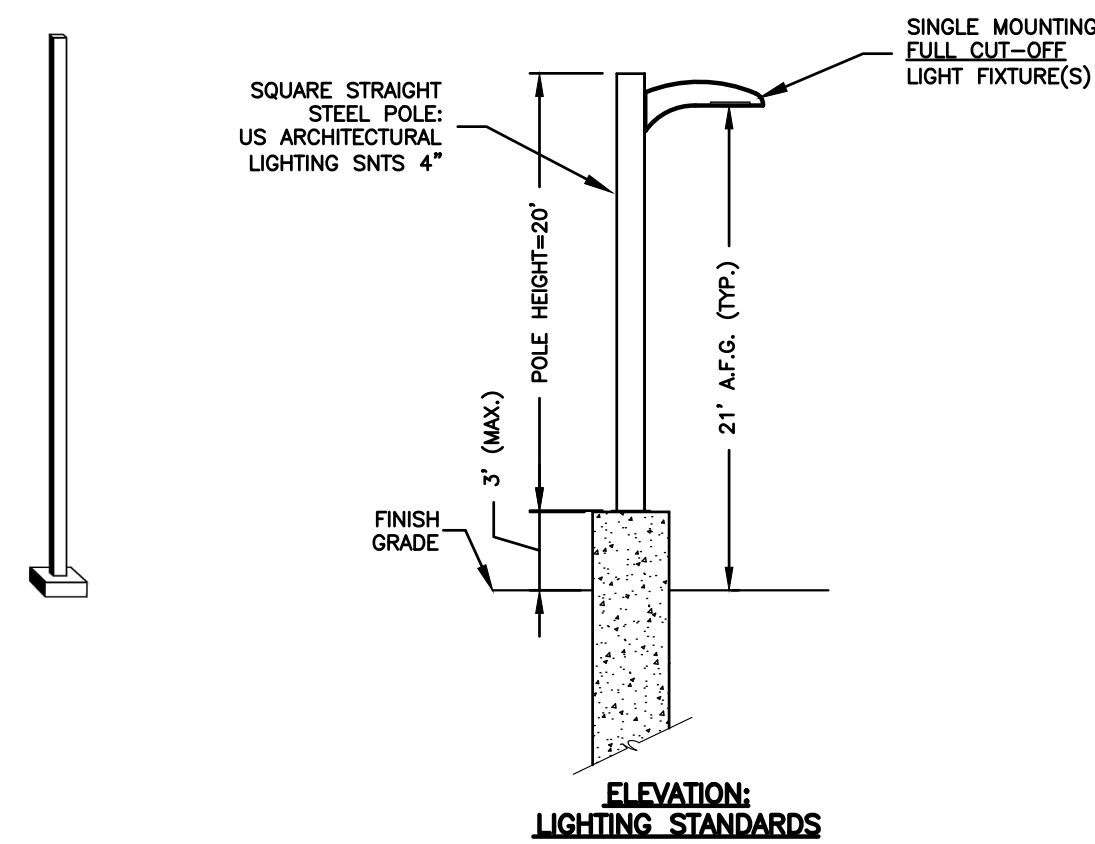
**FINISH** — Extra durable painted finish is coated with TGIC (Triglycidyl isocyanurate) Polyester powder that meets SA and S8 classifications of ASTM D3359. Powder-coat finishes include Dark Bronze, White, Black, and Natural Aluminum colors. Architectural Colors and Special finishes are available by quote and include, but are not limited to Paint over Hot-dipped Galvanized, RAL Colors, Custom Colors and Extended Warranty Finishes.

**GOVERNMENT PROCUREMENT** — BAA — Buy American (Buy) Act: Product qualifies as a domestic end product under the Buy American Act as implemented in the FAR and DFARS. Product also qualifies as manufactured in the United States under DOT Buy America regulations. BABA — Build America Buy America: Product qualifies as produced in the United States under the definitions of the Buy America, Buy American Act. Please refer to [www.buyamercia.com](http://www.buyamercia.com) for additional information.

**INSTALLATION** — Do not erect poles without having fixtures installed. Factory-supplied templates must be used when setting anchor bolts. Lithonia Lighting will not accept claim for incorrect anchorage placement due to failure to use Lithonia Lighting factory templates. If poles are stored outside, all protective wrapping must be removed immediately upon delivery to prevent finish damage. Lithonia Lighting is not responsible for the foundation design.

**WARRANTY** — 1-year limited warranty. This is the only warranty provided and no other statements in this specification sheet create any warranty of any kind. All other express and implied warranties are disclaimed. Complete warranty terms located at: [www.lithonia.com/customer-service/warranty-terms-and-conditions](http://www.lithonia.com/customer-service/warranty-terms-and-conditions)

**NOTE:** Actual performance may differ as a result of end-user environment and application. Specifications subject to change without notice.

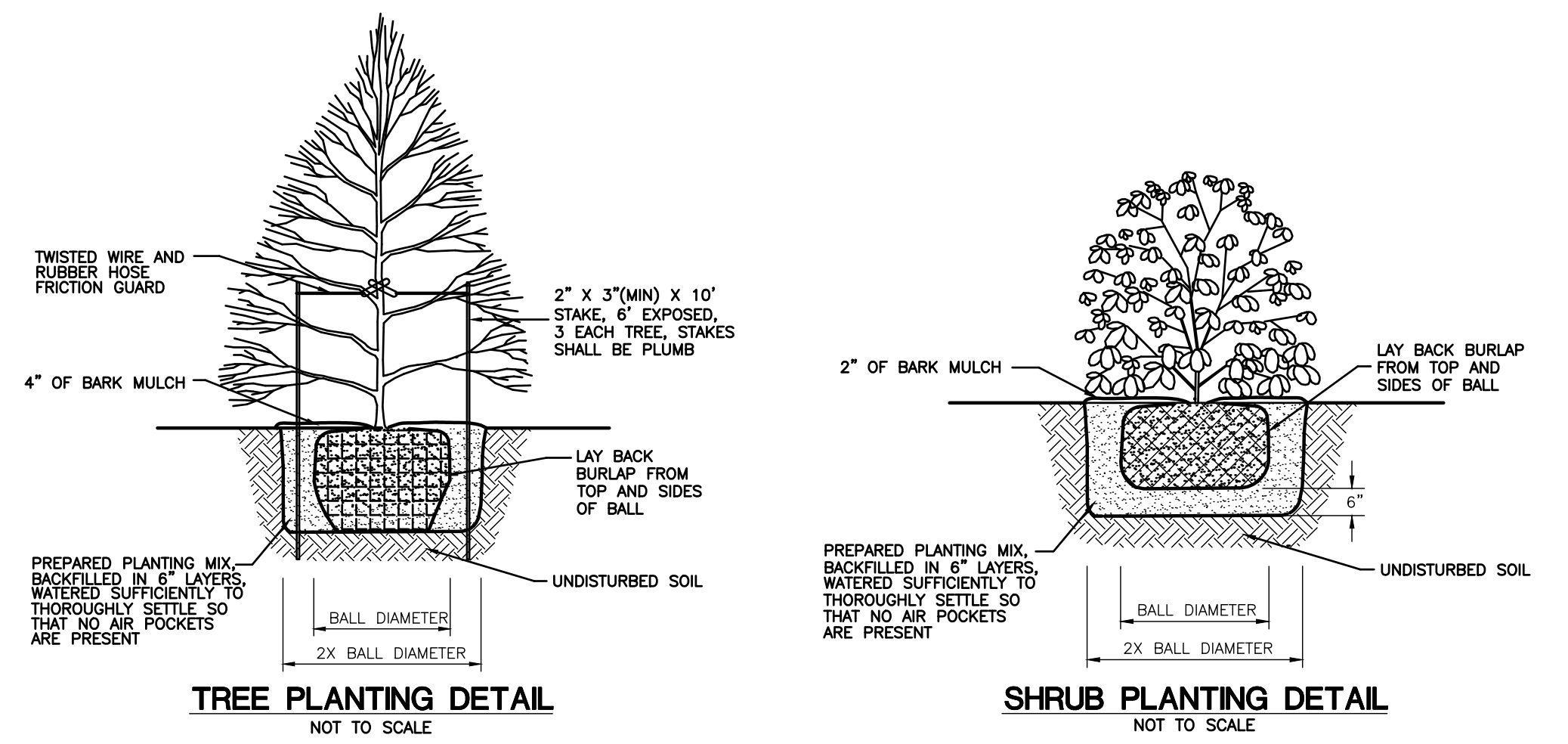


APPROVED BY THE MONTVILLE PLANNING AND ZONING COMMISSION

FINAL APPROVAL: \_\_\_\_\_ DATE \_\_\_\_\_

DATE OF APPROVAL: \_\_\_\_\_

EXPIRATION DATE: \_\_\_\_\_



**LANDSCAPE SCHEDULE**

Key	Botanical Name	Common Name	Size	Quantity
<b>Evergreen Trees</b>				
Tp	Thuja plicata 'Green Giant'	Giant Arborvitae	6' ht.	9
<b>Deciduous Trees</b>				
Ar	Acer Rubrum	Red Maple	6' ht., 3" cal.	4
Po	Prunus x 'Okame'	Okame Cherry	6' ht., 3" cal.	2
<b>Shrubs</b>				
Iv	Ilex Verticillata	Winterberry Holly	18" ht.	12
Vr	Viburnum Cognatum	Arrowood Viburnum	18" ht.	12
Ca	Clethra Alnifolia	Sweet Pepperbush	18" ht.	12

**LANDSCAPE NOTES**

1. ALL PLANTS SHALL BE NURSERY GROWN AND CONFORM TO THE LATEST EDITION OF ANSI 260.1, AMERICAN STANDARD FOR NURSERY STOCK.
2. ALL SIZES NOTED IN THE LANDSCAPE SCHEDULE ARE MINIMUMS.
3. NO SUBSTITUTION OF PLANT MATERIALS SHALL BE ALLOWED WITHOUT THE PRIOR WRITTEN CONSENT OF THE PROJECT OWNER AND THE TOWN ZONING OFFICIAL.
4. PLANTING MIXTURE FOR TREES AND SHRUBS:
  - 1 PART DEHYDRATED COW MANURE OR COMPOSTED ORGANIC MATERIAL
  - 2 PARTS PEAT MOSS AND 5 PARTS TOPSOIL
5. FERTILIZER: TO BE COMPLETE PLANT FOOD WITH A GUARANTEED ANALYSIS OF 10-10-10 UNLESS OTHERWISE APPROVED BY THE OWNER. FERTILIZER SHALL CONTAIN 50% SLOW RELEASE NITROGEN AND 50% QUICK RELEASE.
6. ALL PLANT PITS MUST BE FREE DRAINING. BREAK UP THE BOTTOM OF THE HOLE BY FORK IF NECESSARY TO ENSURE PLANT HAS PROPER DRAINAGE.
7. SET ALL PLANTS IN CENTER OF PLANT PITS, PLUMB AND STRAIGHT AND AS DETAILED ON THE DRAWING. ALL PLANT MATERIAL SHALL BEAR THE SAME RELATIONSHIP TO FINISHED GRADE AS TO ORIGINAL PLANTING GRADE. PRIOR TO DIGGING, TREES SHALL BE PLANTED WITH THE JUNCTION OF ROOTS AND STEM LEVEL WITH FINISHED GRADE.
8. HANDLE BALLED AND BURLAPPED PLANTS FROM THE BALL ONLY. ONCE POSITIONED IN THE HOLE, REMOVE THE TOP 1/3 OF THE BURLAP FROM THE ROOT BALL WITHOUT DISTURBING THE ROOTS.
9. FACE EACH PLANT TO GIVE THE BEST APPEARANCE.
10. FILL PLANT PITS 2/3 THEIR DEPTH WITH PREPARED PLANTING MIXTURE, WATER THOROUGHLY AND ALLOW TO SETTLE. COMPLETE BACK-FILLING, WATER THOROUGHLY TO ELIMINATE ANY VOIDS AND AIR POCKETS. PROVIDE ADDITIONAL BACK-FILL AS NECESSARY TO CONFORM TO REQUIRED ELEVATION AND AS DETAILED.
11. FORM SAUCER AND INSTALL MULCH OVER ENTIRE PLANT PIT AND SAUCER AREA AS DETAILED.
12. 4 INCHES SHREDDED HEMLOCK BARK MULCH OR EQUAL SHALL BE USED AROUND ALL TREES AND SHRUB PLANTINGS.
13. ALL PLANTS AND TREES SHALL BE GUARANTEED FOR A PERIOD OF ONE FULL YEAR AFTER INSPECTION AND ACCEPTANCE BY THE OWNER OR OWNER'S REPRESENTATIVE.
14. ALL DISTURBED AREAS SHALL BE LOAMED, SEEDED, FERTILIZED, AND MULCHED IN ACCORDANCE WITH THE SLOPE STABILIZATION DETAILS.
15. THE OWNER AND/OR CONTRACTOR SHALL ENSURE THAT ONLY CLEAN FILL/SOIL IS USED FOR THE SITE THAT IS FREE OF INVASIVE SPECIES.
16. NO PROPOSED PLANTINGS OR SUBSTITUTE PLANTINGS SHALL BE ALLOWED THAT ARE INCLUDED ON THE CONNECTICUT INVASIVE PLANT LIST PUBLISHED BY THE CT INVASIVE PLANTS COUNCIL (AS UPDATED).

		<b>CLA Engineers, Inc.</b> Civil • Structural • Surveying	
		317 Main Street Norwich, CT 06360 (860) 886-1066 Fax (860) 886-9165	
2	07/16/25	VARIOUS TOWN COMMENTS	Project No. CLA-7767F
1	07/11/25	VARIOUS TOWN COMMENTS	Proj. Engineer D.P.H.
No.	DATE	REVISION	Date: 06/02/25
<b>FOR PERMITTING ONLY NOT FOR CONSTRUCTION</b>			Sheet No. <b>9</b>
			<b>RAND-WHITNEY REALTY, LLC</b>  <b>PROPOSED TRAILER STORAGE</b> <b>375 MAPLE AVENUE &amp; ROUTE 163</b> <b>MONTVILLE, CT</b>  <b>CONSTRUCTION DETAILS 2</b>

AFTER STABILIZATION OF THE SLOPE BETWEEN BASIN #1 AND ROCKLAND POND, THE FOLLOWING SHRUBS SHALL BE PLANTED ALTERNATELY ALONG THE EDGE OF DISTURBANCE AT AN INTERVAL OF 10-FEET ON CENTER: 10 HIGHBUSH BLUEBERRY, 10 NORTHERN ARROWWOOD VIBURNUM, 10 RED CHOKEBERRY



**LANDSCAPE NOTES**

- ALL PLANTS SHALL BE NURSERY GROWN AND CONFORM TO THE LATEST EDITION OF ANSI 260.1, AMERICAN STANDARD FOR NURSERY STOCK.
- ALL SIZES NOTED IN THE LANDSCAPE SCHEDULE ARE MINIMUMS.
- NO SUBSTITUTION OF PLANT MATERIALS SHALL BE ALLOWED WITHOUT THE PRIOR WRITTEN CONSENT OF THE PROJECT OWNER AND THE TOWN ZONING OFFICIAL.
- PLANTING MIXTURE FOR TREES AND SHRUBS:  
1 PART DEHYDRATED COW MANURE OR COMPOSTED ORGANIC MATERIAL  
2 PARTS PEAT MOSS AND 5 PARTS TOPSOIL
- FERTILIZER TO BE COMPLETE PLANT FOOD WITH A GUARANTEED ANALYSIS OF 10-10-10 UNLESS OTHERWISE APPROVED BY THE OWNER. FERTILIZER SHALL CONTAIN 50% SLOW RELEASE NITROGEN AND 50% QUICK RELEASE.
- ALL PLANT PITS MUST BE FREE DRAINING. BREAK UP THE BOTTOM OF THE HOLE BY FORK IF NECESSARY TO ENSURE PLANT HAS PROPER DRAINAGE.
- SET ALL PLANTS IN CENTER OF PLANT PITS, PLUMB AND STRAIGHT AND AS DETAILED ON THE DRAWING. ALL PLANT MATERIAL SHALL BEAR THE SAME RELATIONSHIP TO FINISHED GRADE AS TO ORIGINAL PLANTING GRADE PRIOR TO DIGGING. TREES SHALL BE PLANTED WITH THE JUNCTION OF ROOTS AND STEM LEVEL WITH FINISHED GRADE.
- HANDLE BALLED AND BURLAPPED PLANTS FROM THE BALL ONLY. ONCE POSITIONED IN THE HOLE, REMOVE THE TOP 1/3 OF THE BURLAP FROM THE ROOT BALL WITHOUT DISTURBING THE ROOTS.
- FACE EACH PLANT TO GIVE THE BEST APPEARANCE.
- FILL PLANT PITS 2/3 THEIR DEPTH WITH PREPARED PLANTING MIXTURE, WATER THOROUGHLY AND ALLOW TO SETTLE. COMPLETE BACK-FILLING, WATER THOROUGHLY TO ELIMINATE ANY VOIDS AND AIR POCKETS. PROVIDE ADDITIONAL BACK-FILL AS NECESSARY TO CONFORM TO REQUIRED ELEVATION AND AS DETAILED.
- FORM SAUCER AND INSTALL MULCH OVER ENTIRE PLANT PIT AND SAUCER AREA AS DETAILED.
- 4 INCHES SHREDDED HEMLOCK BARK MULCH OR EQUAL SHALL BE USED AROUND ALL TREES AND SHRUB PLANTINGS.
- ALL PLANTS AND TREES SHALL BE GUARANTEED FOR A PERIOD OF ONE FULL YEAR AFTER INSPECTION AND ACCEPTANCE BY THE OWNER OR OWNER'S REPRESENTATIVE.
- ALL DISTURBED AREAS SHALL BE LOAMED, SEEDED, FERTILIZED, AND MULCHED IN ACCORDANCE WITH THE SLOPE STABILIZATION DETAILS.
- THE OWNER AND/OR CONTRACTOR SHALL ENSURE THAT ONLY CLEAN FILL/SOIL IS USED FOR THE SITE THAT IS FREE OF INVASIVE SPECIES.
- NO PROPOSED PLANTINGS OR SUBSTITUTE PLANTINGS SHALL BE ALLOWED THAT ARE INCLUDED ON THE CONNECTICUT INVASIVE PLANT LIST PUBLISHED BY THE CT INVASIVE PLANTS COUNCIL (AS UPDATED).

**LANDSCAPE SCHEDULE**

Key	Botanical Name	Common Name	Size	Quantity
<b>Evergreen Trees</b>				
Tp	Thuja plicata 'Green Giant'	Giant Arborvitae	6' ht.	9
<b>Deciduous Trees</b>				
Ar	Acer Rubrum	Red Maple	6' ht., 3" cal.	4
Po	Prunus x 'Okame'	Okame Cherry	6' ht., 3" cal.	2
<b>Shrubs</b>				
Iv	Ilex Verticillata	Winterberry Holly	18" ht.	12
Vr	Viburnum Recognitum	Arrowood Viburnum	18" ht.	12
Ca	Clethra Alnifolia	Sweet Pepperbush	18" ht.	12

**VEGETATIVE COVER FOR STORMWATER MANAGEMENT BASINS**

SEED MIXTURE FOR STORMWATER MANAGEMENT BASINS SHALL BE THE "NEW ENGLAND EROSION CONTROL/RESTORATION MIX FOR DETENTION BASINS AND MOIST SITES" FROM NEW ENGLAND WETLAND PLANTS, AMHERST, MA, TELEPHONE NO. 413-548-8000

THE BEST RESULTS ARE OBTAINED WITH A SPRING SEEDING. SUMMER AND FALL SEEDING REQUIRE A LIGHT MULCHING OF WEED FREE STRAW TO CONSERVE MOISTURE. LATE FALL AND WINTER DORMANT SEEDING REQUIRE A 10% INCREASE IN THE SEEDING RATE. FERTILIZATION IS NOT REQUIRED UNLESS THE SOILS ARE PARTICULARLY INFERTILE.

	LBS./ACRE	LBS./1000 S.F.
NEW ENGLAND EROSION CONTROL/RESTORATION MIX FOR DETENTION BASINS AND MOIST SITES	35	0.80

SPECIES: Virginia Wild Rye, (Elymus virginicus), Creeping Red Fescue, (Festuca rubra), Little Bluestem, (Schizachyrium scoparium), Big Bluestem, (Andropogon gerardii), Fox Sedge, (Carex vulpinoidea), Switch Grass, (Panicum virgatum), Rough Bentgrass, (Agrostis scabra), New England Aster, (Aster novae-angliae), Boneset, (Eupatorium perfoliatum), Grass Leaved Goldenrod, (Euthamia graminifolia), Green Bulrush, (Scirpus atrovirens), Blue Vervain, (Verbena hastata), Soft Rush, (Juncus effusus), Wool Grass, (Scirpus cyperinus)

3' HIGH EARTHEN BERM WITH PLANTING MULCH

MIN. 6' HIGH EVERGREEN TREES (40.) (SPECIES TO BE SELECTED BASED ON SOIL CONDITIONS AND AVAILABILITY).

APPROVED BY THE MONTVILLE PLANNING AND ZONING COMMISSION

FINAL APPROVAL: \_\_\_\_\_ DATE \_\_\_\_\_  
CHAIRMAN SIGNATURE

DATE OF APPROVAL: \_\_\_\_\_

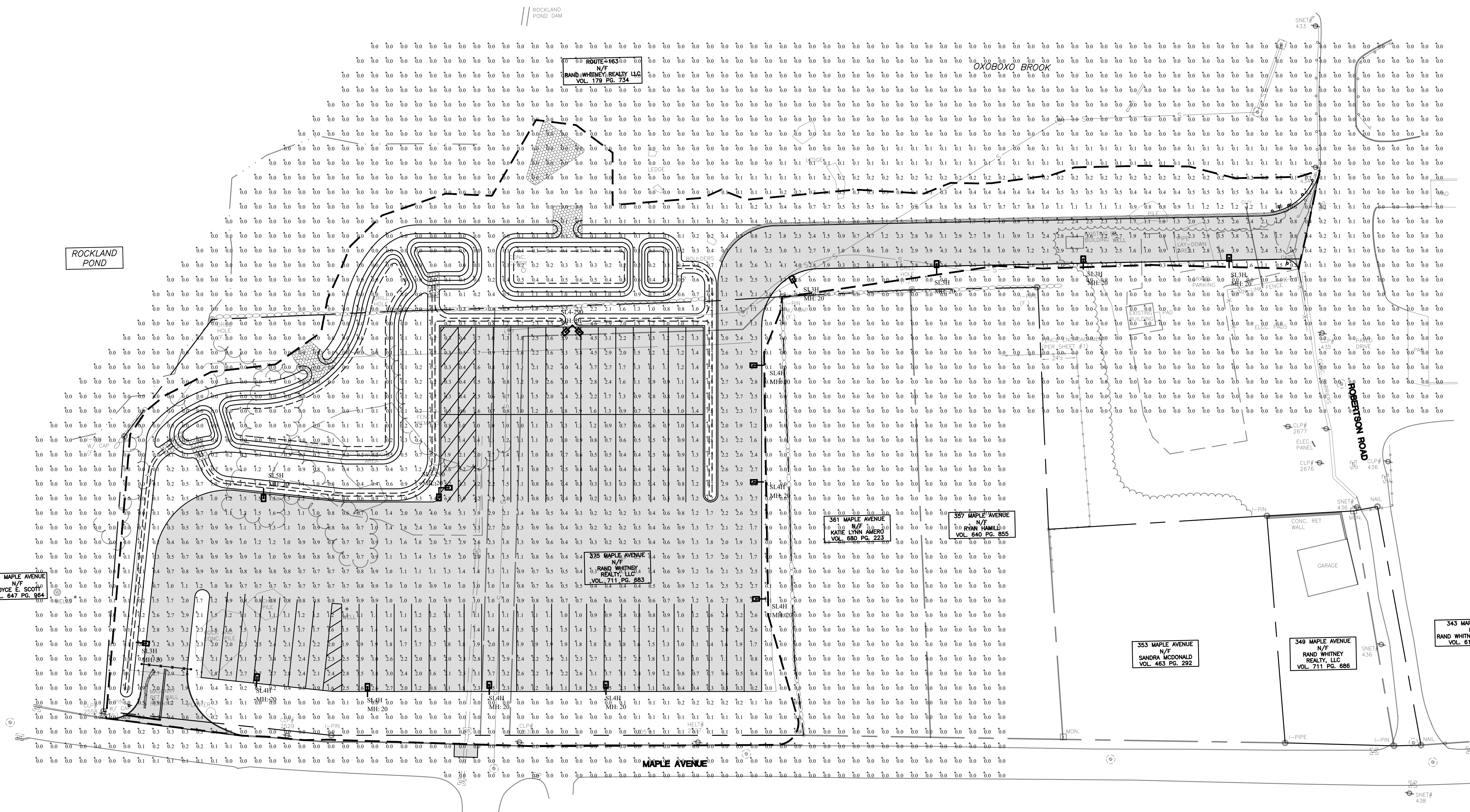
EXPIRATION DATE: \_\_\_\_\_

SCALE: 1"=40'

**LEGEND**

- BEDLINE
- GENERAL LAWN
- BASIN TREATMENT (SEE THIS SHEET)
- PLANTING MULCH

<p><b>CLA Engineers, Inc.</b> CIVIL • STRUCTURAL • SURVEYING</p> <p>317 Main Street Norwich, CT 06360 (860) 886-1066 Fax (860) 886-9165</p>		<p>Project No. CLA-77677F</p> <p>Proj. Engineer D.P.H.</p> <p>Date: 06/02/25</p> <p>Sheet No. <b>10</b></p>
<p>2 07/16/25 VARIOUS TOWN COMMENTS</p> <p>1 07/11/25 VARIOUS TOWN COMMENTS</p>		<p>FOR PERMITTING ONLY NOT FOR CONSTRUCTION</p>
<p>RAND-WHITNEY REALTY, LLC</p> <p>PROPOSED TRAILER STORAGE 375 MAPLE AVENUE &amp; ROUTE 163 MONTVILLE, CT</p> <p>LANDSCAPE PLAN</p>		

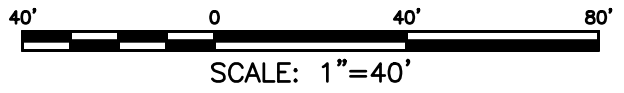


Filename: 375 Maple Ave & Route 163 - Trailer Storage Lot Lighting - Montville.AGI

Symbol	Qty	Label	Arrangement	Luminaire Lumens	Luminaire Watts	LLF	BUG Rating	Mounting Height	Description
[Symbol]	5	SL3H	Single	10698	123.94	0.900	B0-U0-G3	20	Lithonia DSX1 LED P4 40K 80CRI BLC3 MVOLT SPA PIR DBLXD - SSS 20 4C DM19AS DBLXD 20FT POLE
[Symbol]	2	SL4-290	2 @ 90 degrees	15032	123.94	0.900	B2-U0-G4	20	Lithonia DSX1 LED P4 40K 80CRI TFTM MVOLT SPA PIR DBLXD - SSS 20 4C DM29AS DBLXD 20FT POLE
[Symbol]	7	SL4H	Single	11049	123.94	0.900	B0-U0-G3	20	Lithonia DSX1 LED P4 40K 80CRI BLC4 MVOLT SPA PIR DBLXD - SSS 20 4C DM19AS DBLXD 20FT POLE
[Symbol]	1	SL5H	Single	10601	123.9373	0.900	B3-U0-G3	20	Lithonia DSX1 LED P4 40K 80CRI T5W MVOLT SPA PIR HS DBLXD - SSS 20 4C DM19AS DBLXD 20FT POLE

Label	CalcType	Units	Avg	Max	Min	Avg/Min	Max/Min	PtSpLr	PtSpTb
SITE	Illuminance	Fc	0.46	6.8	0.0	N.A.	N.A.	10	10
NORTHWEST DRIVEWAY	Illuminance	Fc	1.63	4.3	0.3	5.43	14.33		
PARKING	Illuminance	Fc	1.49	6.8	0.2	7.45	34.00		
SOUTHEAST DRIVEWAY	Illuminance	Fc	1.97	4.3	0.2	9.85	21.50		

Greg Loda / Jim Bartolotta  
 Lighting Affiliates  
 1208 Cromwell Ave  
 Rocky Hill, CT 06067  
 Website: www.lightingaffiliates.com  
 Voice Number: (860) 721-1171 x 219  
 Email: gloda@lightingaffiliates.com

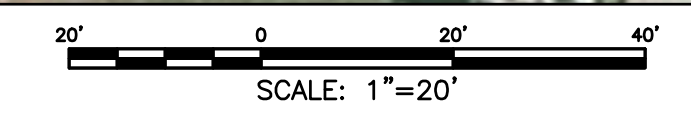


APPROVED BY THE MONTVILLE PLANNING AND ZONING COMMISSION

FINAL APPROVAL: \_\_\_\_\_ DATE \_\_\_\_\_  
 CHAIRMAN SIGNATURE

DATE OF APPROVAL: \_\_\_\_\_  
 EXPIRATION DATE: \_\_\_\_\_

<p><b>FOR PERMITTING ONLY NOT FOR CONSTRUCTION</b></p>		<p><b>CLA Engineers, Inc.</b>          CIVIL • STRUCTURAL • SURVEYING</p>		Project No. CLA-7767F
		<p>317 Main Street Norwich, CT 06360          (860) 886-1066 Fax (860) 886-9165</p>		Proj. Engineer D.P.H. Date: 06/02/25 Sheet No. <b>11</b>
		<p><b>RAND-WHITNEY REALTY, LLC</b></p>		
		<p><b>PROPOSED TRAILER STORAGE</b>          375 MAPLE AVENUE &amp; ROUTE 163          MONTVILLE, CT</p>		
		<p><b>LIGHTING PLAN</b></p>		



APPROVED BY THE MONTVILLE PLANNING AND ZONING COMMISSION

FINAL APPROVAL: \_\_\_\_\_ DATE \_\_\_\_\_  
 CHAIRMAN SIGNATURE

DATE OF APPROVAL: \_\_\_\_\_

EXPIRATION DATE: \_\_\_\_\_

No.	DATE	REVISION
2	07/16/25	VARIOUS TOWN COMMENTS
1	07/11/25	VARIOUS TOWN COMMENTS

**CLA Engineers, Inc.**  
 CIVIL • STRUCTURAL • SURVEYING

317 Main Street Norwich, CT 06360  
 (860) 886-1966 Fax (860) 886-9165

**FOR PERMITTING ONLY  
 NOT FOR CONSTRUCTION**

RAND-WHITNEY REALTY, LLC

PROPOSED TRAILER STORAGE  
 375 MAPLE AVENUE & ROUTE 163  
 MONTVILLE, CT

INTERSECTION SIGHT DISTANCE

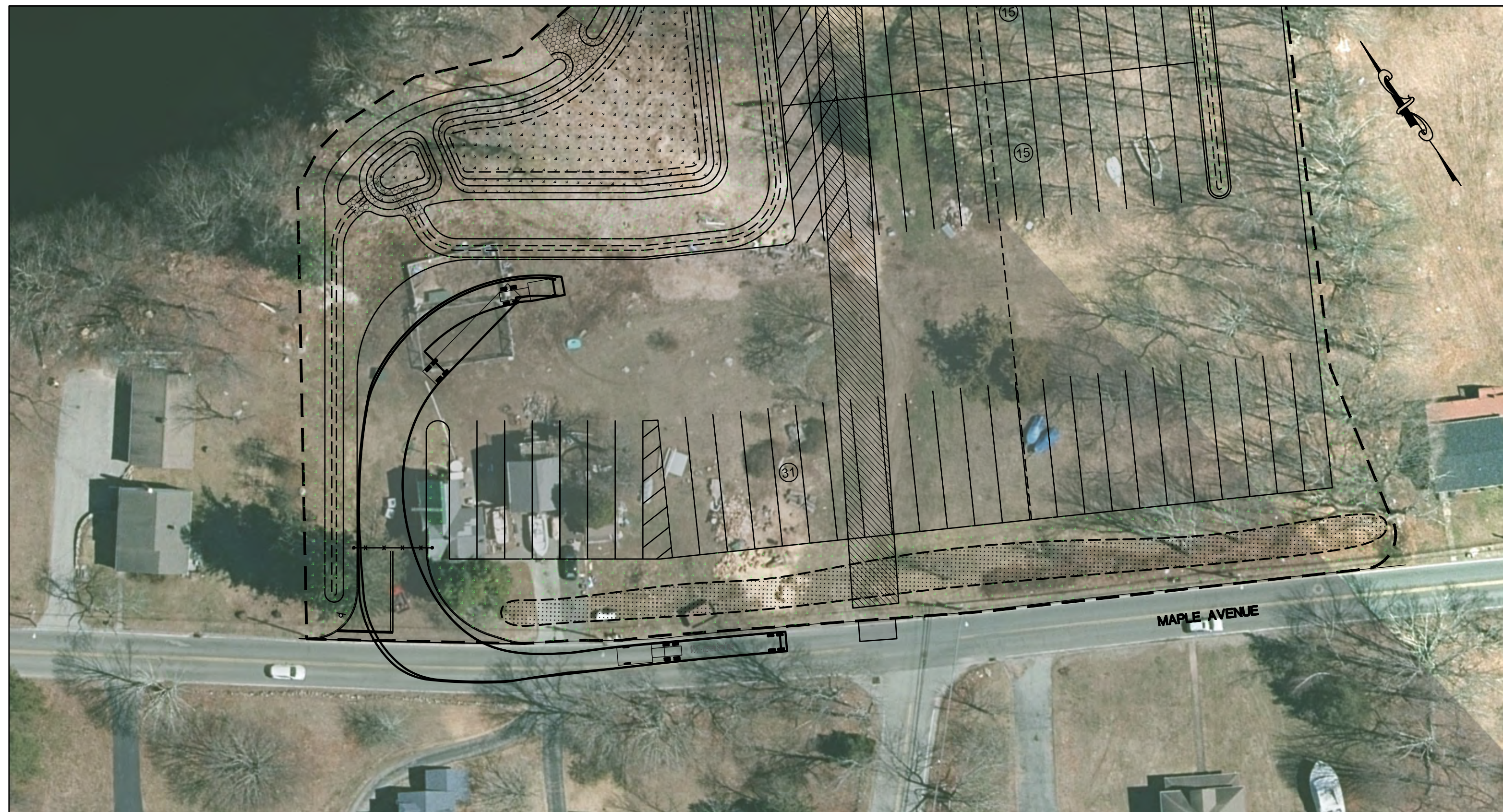
Project No.  
 CLA-7767F

Proj. Engineer  
 D.P.H.

Date:  
 06/02/25

Sheet No.

**12**



ENTERING SITE FROM MAPLE AVENUE



EXITING SITE TO MAPLE AVENUE



ENTERING SITE FROM ROBERTSON ROAD



EXITING SITE TO ROBERTSON ROAD



APPROVED BY THE MONTVILLE PLANNING AND ZONING COMMISSION

FINAL APPROVAL: \_\_\_\_\_

CHAIRMAN SIGNATURE \_\_\_\_\_ DATE \_\_\_\_\_

DATE OF APPROVAL: \_\_\_\_\_

EXPIRATION DATE: \_\_\_\_\_

<b>CLA Engineers, Inc.</b> CIVIL • STRUCTURAL • SURVEYING			Project No. CLA-7767F
317 Main Street Norwich, CT 06360 (860) 886-1966 Fax (860) 886-9165			Proj. Engineer D.P.H.
2 07/16/25 VARIOUS TOWN COMMENTS 1 07/11/25 VARIOUS TOWN COMMENTS No. DATE REVISION	<b>FOR PERMITTING ONLY NOT FOR CONSTRUCTION</b>		Date: 06/02/25
<b>RAND-WHITNEY REALTY, LLC</b>  <b>PROPOSED TRAILER STORAGE</b> 375 MAPLE AVENUE & ROUTE 163 MONTVILLE, CT			Sheet No. <b>13</b>
<b>TURNING MOVEMENTS</b>			