

SHEET FLOW						
ID	SURFACE	ROUGH COEFF.	START EL. (FT.)	END EL. (FT.)	LENGTH (FT.)	SLOPE (FT./FT.)
SF1A	LAWN	0.240	431.0	421.3	106	0.092
SF1B	WOODS	0.600	421.3	420.5	11	0.073
SF1C	LAWN	0.240	420.5	418.3	33	0.067
			TOTAL SHEET FLOW LENGTH:			150

SHALLOW CONCENTRATED FLOW						
ID	SURFACE	ROUGH COEFF.	START EL. (FT.)	END EL. (FT.)	LENGTH (FT.)	SLOPE (FT./FT.)
SCF1A	UNPAVED		418.3	403.5	195	0.076
SCF1B	PAVED		403.5	403.3	3	0.067
SCF1C	UNPAVED		403.3	396.7	29	0.228
SCF1D	PAVED		396.7	395.4	16	0.084
SCF1E	UNPAVED		395.4	382.0	168	0.085
SCF1F	PAVED		382.0	381.7	4	0.075
SCF1G	UNPAVED		381.7	380.5	16	0.075
SCF1H	PAVED		380.5	380.4	1	0.100
SCF1I	UNPAVED		380.4	358.0	225	0.100

SHEET FLOW						
ID	SURFACE	ROUGH COEFF.	START EL. (FT.)	END EL. (FT.)	LENGTH (FT.)	SLOPE (FT./FT.)
SF2A	LAWN	0.240	433.5	428.8	28	0.168
SF2B	WOODS	0.600	428.8	417.5	122	0.093
			TOTAL SHEET FLOW LENGTH:			150

SHALLOW CONCENTRATED FLOW						
ID	SURFACE	ROUGH COEFF.	START EL. (FT.)	END EL. (FT.)	LENGTH (FT.)	SLOPE (FT./FT.)
SCF2A	UNPAVED		417.5	325.5	958	0.096

SHEET FLOW						
ID	SURFACE	ROUGH COEFF.	START EL. (FT.)	END EL. (FT.)	LENGTH (FT.)	SLOPE (FT./FT.)
SF4A	WOODS	0.600	354.5	340.5	150	0.093
			TOTAL SHEET FLOW LENGTH:			150

SHALLOW CONCENTRATED FLOW						
ID	SURFACE	ROUGH COEFF.	START EL. (FT.)	END EL. (FT.)	LENGTH (FT.)	SLOPE (FT./FT.)
SCF4A	UNPAVED		340.5	330.0	81	0.130

SHEET FLOW						
ID	SURFACE	ROUGH COEFF.	START EL. (FT.)	END EL. (FT.)	LENGTH (FT.)	SLOPE (FT./FT.)
SF3A	LAWN	0.240	434.5	433.0	18	0.083
SF3B	WOODS	0.600	433.0	420.2	132	0.097
			TOTAL SHEET FLOW LENGTH:			150

SHALLOW CONCENTRATED FLOW						
ID	SURFACE	ROUGH COEFF.	START EL. (FT.)	END EL. (FT.)	LENGTH (FT.)	SLOPE (FT./FT.)
SCF3A	UNPAVED		420.2	367.7	510	0.103

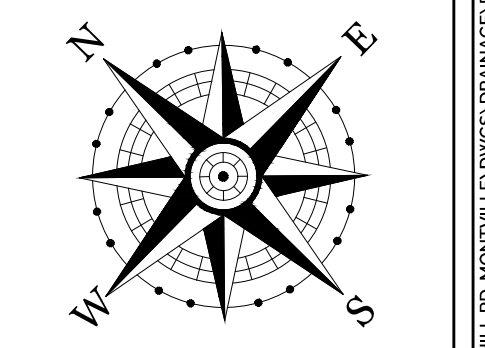
UNIT	NAME	RATING
46B	WOODBIDGE FINE SANDY LOAMS, 0-8% SLOPES, VERY STONY	C/D
47C	WOODBIDGE FINE SANDY LOAMS, 3-15% SLOPES, EXTREMELY STONY	C/D
62D	CANTON & CHARLTON FINE SANDY LOAMS, 15-35% SLOPES, EXTREMELY STONY	B
84B	PAXTON & MONTAUK FINE SANDY LOAMS, 3-8% SLOPES	C
85C	PAXTON & MONTAUK FINE SANDY LOAMS, 8-15% SLOPES, VERY STONY	C

RATING	GROUND COVER	CN	AREA (S.F.)
-	BLDG. / IMPERVIOUS	98	9,093
C	COMPACT GRAVEL (EST.)	92	2,325
C	OPEN DECK (EST.)	86	575
C	LAWN (GOOD)	74	46,031
C	WOODS (GOOD)	70	26,153
TOTAL WATERSHED SUBAREA:			84,177
WEIGHTED CN VALUE:			76

RATING	GROUND COVER	CN	AREA (S.F.)
-	BLDG. / IMPERVIOUS	98	18,392
C	COMPACT GRAVEL (EST.)	92	1,017
C	OPEN DECK (EST.)	86	1,114
C	LAWN (GOOD)	74	76,615
B	WOODS (GOOD)	55	2,776
C	WOODS (GOOD)	70	336,735
D	WOODS (GOOD) (WETLANDS)	77	390
TOTAL WATERSHED SUBAREA:			436,939
WEIGHTED CN VALUE:			72

RATING	GROUND COVER	CN	AREA (S.F.)
-	BLDG. / IMPERVIOUS	98	6,755
C	COMPACT GRAVEL (EST.)	92	596
C	LAWN (GOOD)	74	39,684
B	WOODS (GOOD)	55	30,364
C	WOODS (GOOD)	70	212,059
TOTAL WATERSHED SUBAREA:			289,358
WEIGHTED CN VALUE:			70

RATING	GROUND COVER	CN	AREA (S.F.)
C	WOODS (GOOD)	70	9,201
TOTAL WATERSHED SUBAREA:			9,271
WEIGHTED CN VALUE:			69
TOTAL WATERSHED AREA (AC.):			819,745



SHEET FLOW						
ID	SURFACE	ROUGH COEFF.	START EL. (FT.)	END EL. (FT.)	LENGTH (FT.)	SLOPE (FT./FT.)
SF1A	LAWN	0.240	265.5	260.5	67	0.075
TOTAL SHEET FLOW LENGTH: 67						

SHEET FLOW						
ID	SURFACE	ROUGH COEFF.	START EL. (FT.)	END EL. (FT.)	LENGTH (FT.)	SLOPE (FT./FT.)
SF2A	LAWN	0.240	432.5	429.0	59	0.059
SF2B	WOODS	0.600	429.0	418.3	91	0.118
TOTAL SHEET FLOW LENGTH: 150						

SHALLOW CONCENTRATED FLOW					
ID	SURFACE	START EL. (FT.)	END EL. (FT.)	LENGTH (FT.)	SLOPE (FT./FT.)
SCF2A	UNPAVED	418.3	393.7	533	0.102

*CONSERVATIVELY, ASSUME Tc FOR OPEN CHANNEL FLOW THRU DRAINAGE PIPES IS ESSENTIALLY NEGLIGIBLE

'PROP. SUBAREA #2B 'SA2B' IS THE INTERIOR OF THE BASIN, THEREFORE USE 5.0 MIN. Tc FLOW PATH

'PROP. SUBAREA #2C 'SA2C' IS THE INTERIOR OF THE BASIN, MORE OR LESS, THEREFORE USE 5.0 MIN. Tc FLOW PATH

SHEET FLOW						
ID	SURFACE	ROUGH COEFF.	START EL. (FT.)	END EL. (FT.)	LENGTH (FT.)	SLOPE (FT./FT.)
SF2A	LAWN	0.240	343.0	338.0	27	0.185
SF2B	WOODS	0.600	338.0	325.5	67	0.187
TOTAL SHEET FLOW LENGTH: 94						

SHEET FLOW						
ID	SURFACE	ROUGH COEFF.	START EL. (FT.)	END EL. (FT.)	LENGTH (FT.)	SLOPE (FT./FT.)
SF3A	WOODS	0.600	425.0	418.5	89	0.073
SF3B	LAWN	0.240	418.5	404.0	61	0.238
TOTAL SHEET FLOW LENGTH: 150						

SHALLOW CONCENTRATED FLOW					
ID	SURFACE	START EL. (FT.)	END EL. (FT.)	LENGTH (FT.)	SLOPE (FT./FT.)
SCF3A	UNPAVED	404.0	395.0	105	0.086
SCF2A	UNPAVED	395.0	394.0	84	0.012

SHEET FLOW						
ID	SURFACE	ROUGH COEFF.	START EL. (FT.)	END EL. (FT.)	LENGTH (FT.)	SLOPE (FT./FT.)
SF3A	LAWN	0.240	434.5	430.0	19	0.079
SF3B	WOODS	0.600	430.0	420.1	131	0.098
TOTAL SHEET FLOW LENGTH: 150						

SHALLOW CONCENTRATED FLOW					
ID	SURFACE	START EL. (FT.)	END EL. (FT.)	LENGTH (FT.)	SLOPE (FT./FT.)
SCF3A	UNPAVED	420.1	366.0	581	0.093

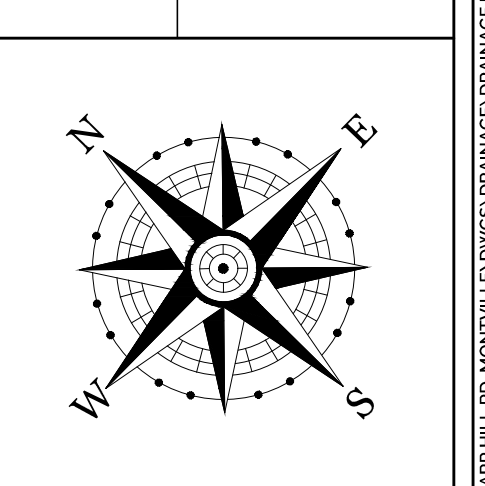
UNIT	NAME	RATING
46B	WOODBIDGE FINE SANDY LOAMS, 0-8% SLOPES, VERY STONY	C/D
47C	WOODBIDGE FINE SANDY LOAMS, 3-15% SLOPES, EXTREMELY STONY	C/D
62D	CANTON & CHARLTON FINE SANDY LOAMS, 15-35% SLOPES, EXTREMELY STONY	B
84B	PAXTON & MONTAUK FINE SANDY LOAMS, 3-8% SLOPES	C
85C	PAXTON & MONTAUK FINE SANDY LOAMS, 8-15% SLOPES, VERY STONY	C



HHH ENGINEERING ASSOCIATES
 232 Greenmanville Ave.
 Suite 201
 Mystic, CT 06355
 860-980-8008
 www.hh-engineers.com

REV.	DATE	DESCRIPTION OF REVISION

POST-DEVELOPMENT DRAINAGE AREA MAP
 24-LOT RESIDENTIAL RESUBDIVISION
 PROPERTY ADDRESS:
 47 SHARP HILL ROAD, MONTVILLE, CONNECTICUT 06382
 PREPARED FOR:
MT KINEO BUILDERS, LLC
 P.O. BOX 246, WEST MYSTIC, CT 06388



50 25 0 25 50
 SCALE IN FEET

PROJECT NO. 2025-0197	SCALE: 1" = 50'
DRAWN BY: REG	DATE: 7/10/2025
CHECKED BY: SMM	DATE: 7/10/2025

DRAWING FIGURE 3

SHEET NUMBER: 1 OF 1

RATING	GROUND COVER	CN	AREA (S.F.)
-	BLDG. / IMPERVIOUS	98	795
C	OPEN DECK (EST.)	86	151
C	LAWN (GOOD)	74	23,679
TOTAL WATERSHED SUBAREA:			24,515
WEIGHTED CN VALUE:			75

RATING	GROUND COVER	CN	AREA (S.F.)
C	LAWN (GOOD)	74	13,888
TOTAL WATERSHED SUBAREA:			13,888
WEIGHTED CN VALUE:			74

RATING	GROUND COVER	CN	AREA (S.F.)
C	LAWN (GOOD)	74	4,140
C	WOODS (GOOD)	70	2,030
D	WOODS (GOOD) (WETLANDS)	77	390
TOTAL WATERSHED SUBAREA:			6,560
WEIGHTED CN VALUE:			73

RATING	GROUND COVER	CN	AREA (S.F.)
-	BLDG. / IMPERVIOUS	98	15,872
C	OPEN DECK (EST.)	86	454
C	LAWN (GOOD)	74	39,826
C	WOODS (GOOD)	70	3,756
TOTAL WATERSHED SUBAREA:			59,908
WEIGHTED CN VALUE:			80

RATING	GROUND COVER	CN	AREA (S.F.)
-	BLDG. / IMPERVIOUS	98	5,309
C	LAWN (GOOD)	74	11,384
C	WOODS (GOOD)	70	178
TOTAL WATERSHED SUBAREA:			16,871
WEIGHTED CN VALUE:			82

RATING	GROUND COVER	CN	AREA (S.F.)
I	GROUND COVER		
-	BLDG. / IMPERVIOUS	98	20,031
C	COMPACT GRAVEL (EST.)	92	596
C	OPEN DECK (EST.)	86	1,211
B	LAWN (GOOD)	61	478
C	LAWN (GOOD)	74	108,649
B	WOODS (GOOD)	55	32,649
C	WOODS (GOOD)	70	59,120
TOTAL WATERSHED SUBAREA:			222,734
WEIGHTED CN VALUE:			72

RATING	GROUND COVER	CN	AREA (S.F.)
-	BLDG. / IMPERVIOUS	98	86,243
C	COMPACT GRAVEL (EST.)	92	2,809
C	OPEN DECK (EST.)	86	3,353
C	LAWN (GOOD)	74	251,334
C	WOODS (GOOD)	70	124,032
TOTAL WATERSHED SUBAREA:			467,771
WEIGHTED CN VALUE:			78

RATING	GROUND COVER	CN	AREA (S.F.)
C	LAWN (GOOD)	74	4,292
C	WOODS (GOOD)	70	3,136
TOTAL WATERSHED SUBAREA:			7,428
WEIGHTED CN VALUE:			72