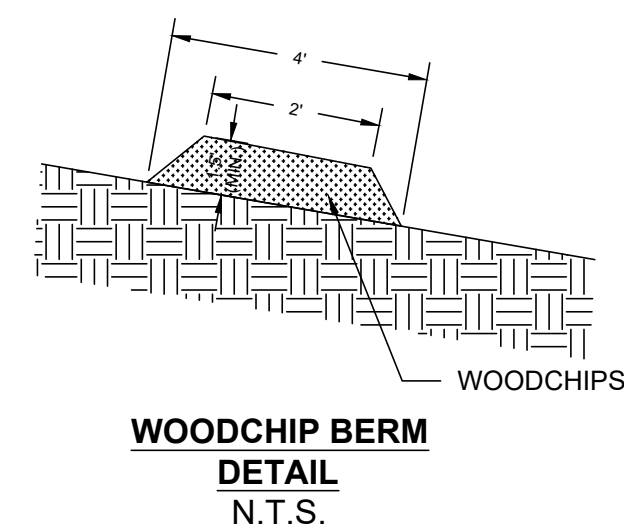
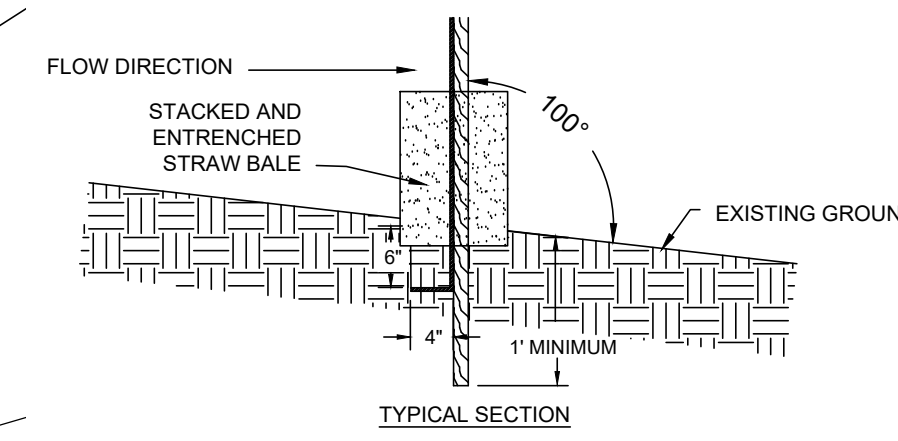


- NOTES:**
1. TOWN STAFF WILL BE NOTIFIED 48 HOURS IN ADVANCE OF ANY WORK COMMENCING.
 2. WORK SHALL BE OVERSEEN BY A CERTIFIED SOIL SCIENTIST WHO WILL PROVIDE A COMPLETION REPORT



LEGEND:

CHD - CONC. HIGHWAY MON.	CONC. MON. FOUND
MS - MERESTONE	CONC. MON. SET
CMF - STONE MON. FOUND	STONE MON. FOUND
CMS - IRON REBAR FOUND	IRON REBAR FOUND
SMF - IRON PIPE FOUND	IRON PIPE FOUND
IRF - PK NAIL SET	PK NAIL SET
IRS - PK NAIL FOUND	PK NAIL FOUND
IPF - DRILL HOLE SET	DRILL HOLE SET
PKF - DRILL HOLE FOUND	DRILL HOLE FOUND
DHS - W/ CAP	W/ CAP

PROPOSED WETLAND COMPLIANCE PLAN

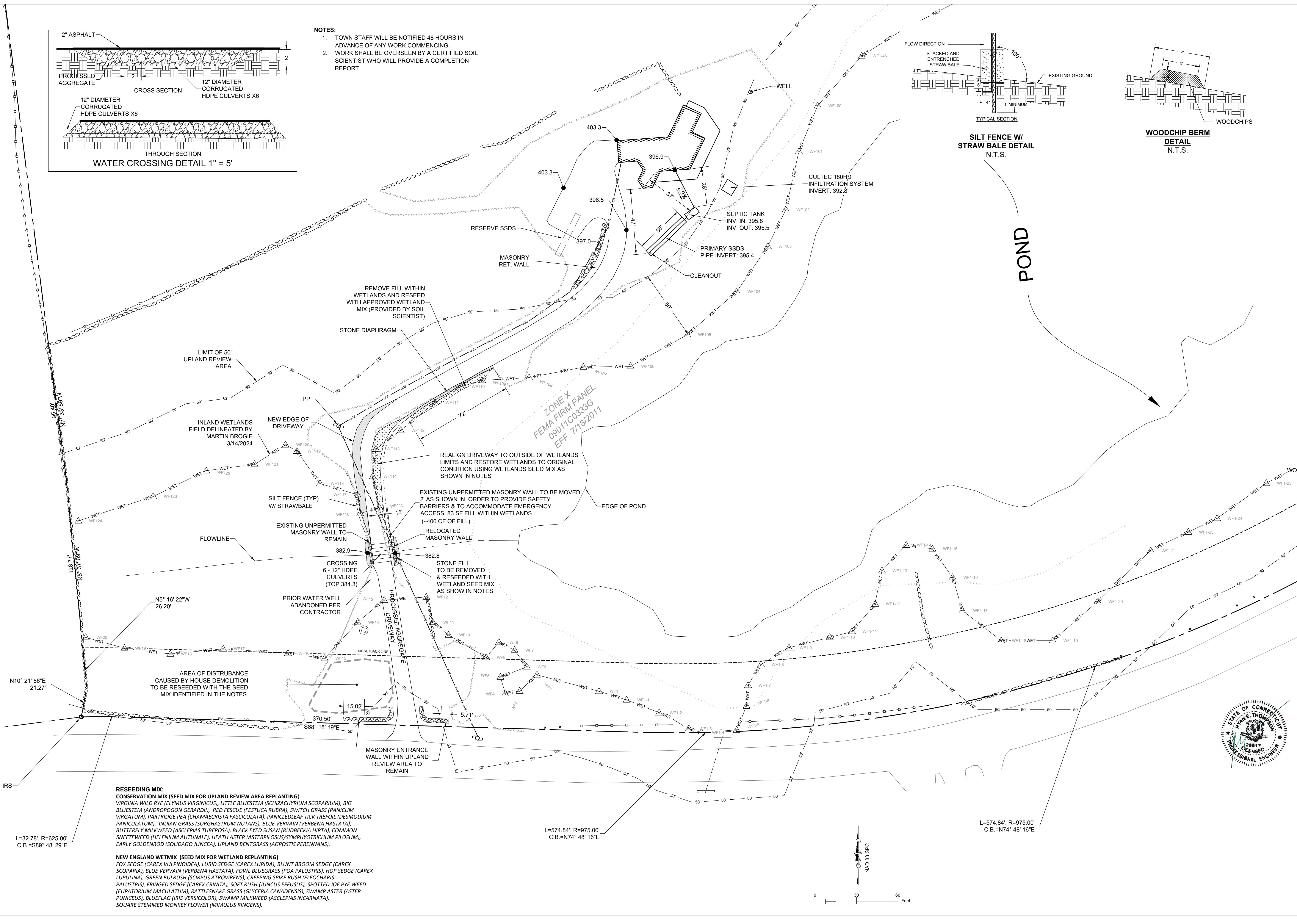
330 CHESTERFIELD RD
OAKDALE, CT

DATE: JANUARY 8, 2026
DRAWING SCALE: 1" = 30'

RCL THOMPSON LLC
ENGINEERING - SURVEYING
800-941-7721
www.rclthompson.com
19 Peppercorn Dr.
Clinton, CT 06413

STATE OF CONNECTICUT
RYAN E. THOMPSON
LICENSED PROFESSIONAL ENGINEER
29817

2/4/26 SOIL SCIENTIST COMMENTS
3/4/26 ZONING / WETLAND OFFICER COMMENTS



C:\Users\ellid\Desktop\PROJECTS\24013 - CHESTERFIELD RD\339 CHESTERFIELD RD WETLAND CONFORMANCE 1-8-26.dwg