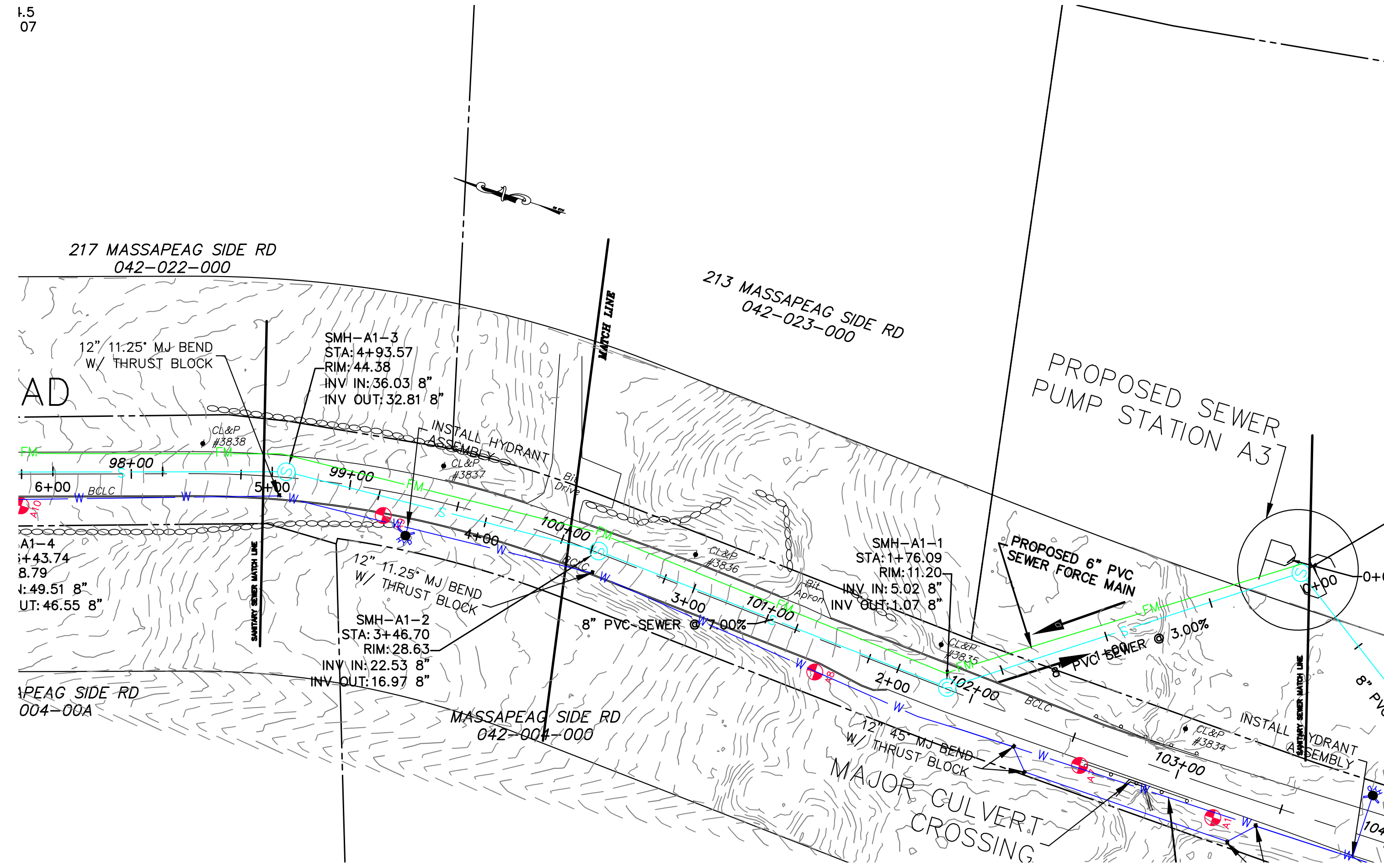


FILE LOCATION: P:\CT\4010398 - ALL OF US AT NORTH, LLC\988.001 MONTVILLE DEVELOPMENT 2025 - S\MA02-CAD_FILES\CIVIL\PRODUCTION PLANS\SEWER.DWG, 2026.03.24, 2:41 PM

1.5
07

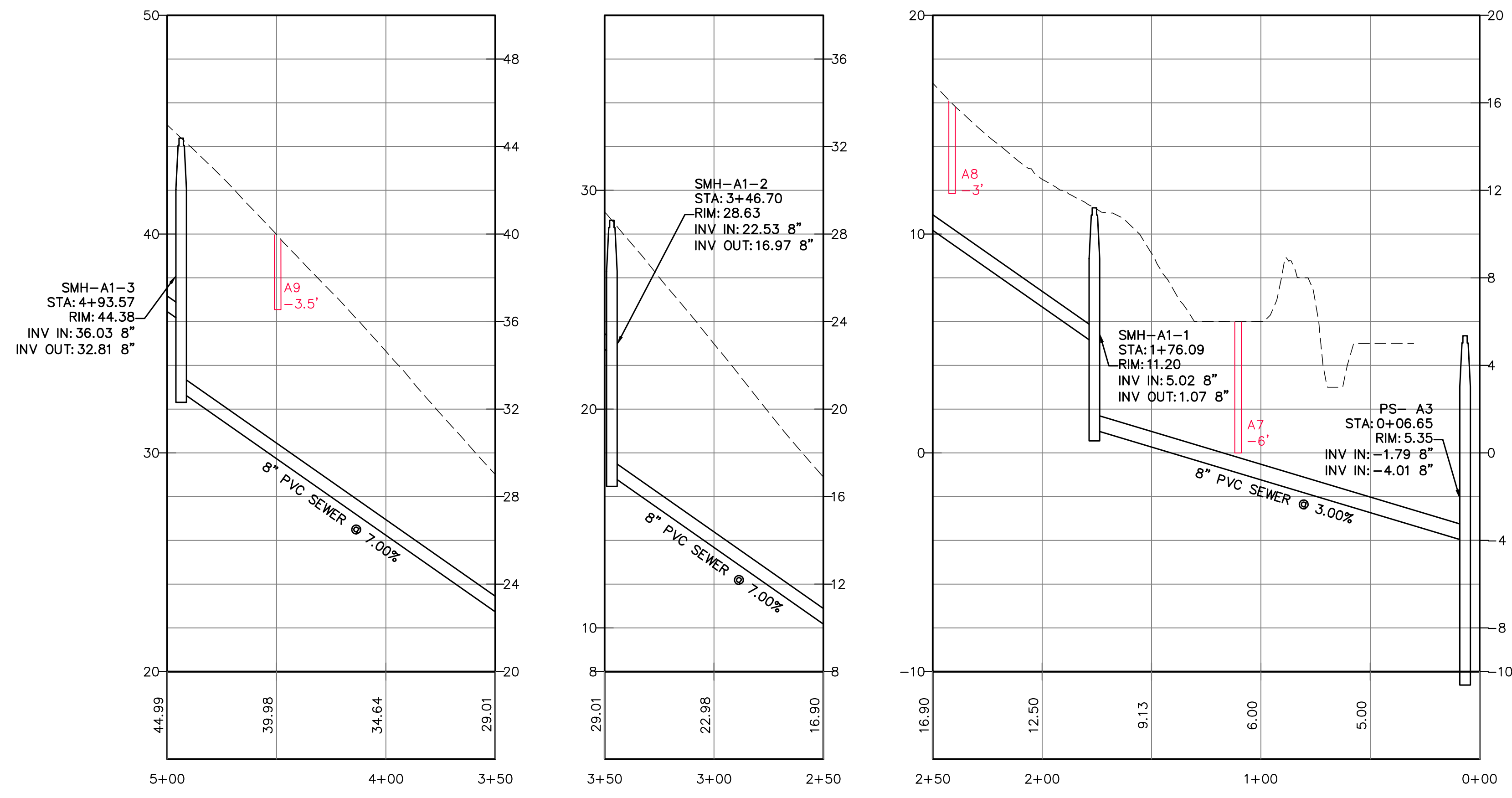


LEGEND

	APPROXIMATE BOUNDARY LINE
	DRAINAGE PIPE
	EXISTING SANITARY SEWER FORCE MAIN
	EXISTING SANITARY SEWER GRAVITY MAIN
	PROPOSED WATER MAIN
	PROPOSED SANITARY SEWER FORCE MAIN
	PROPOSED SANITARY SEWER GRAVITY MAIN
	METAL BEAM GUIDE RAIL
	UTILITY POLE
	HYDRANT

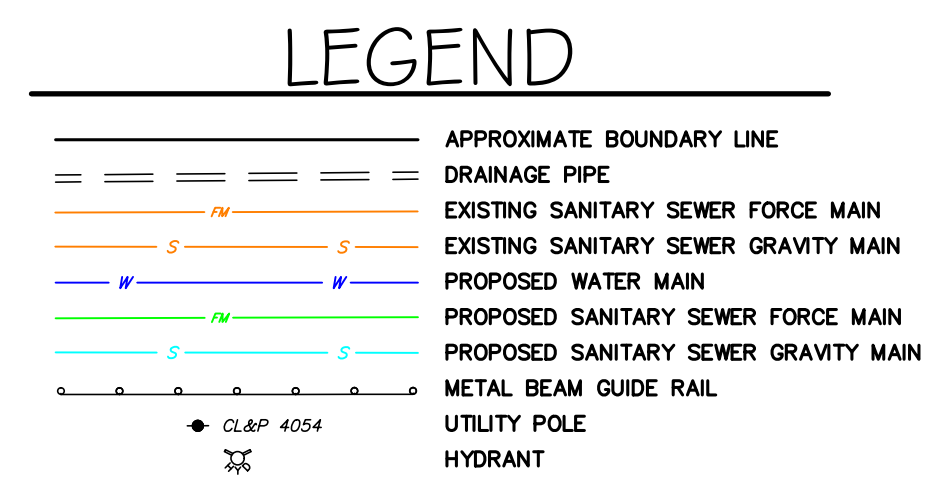
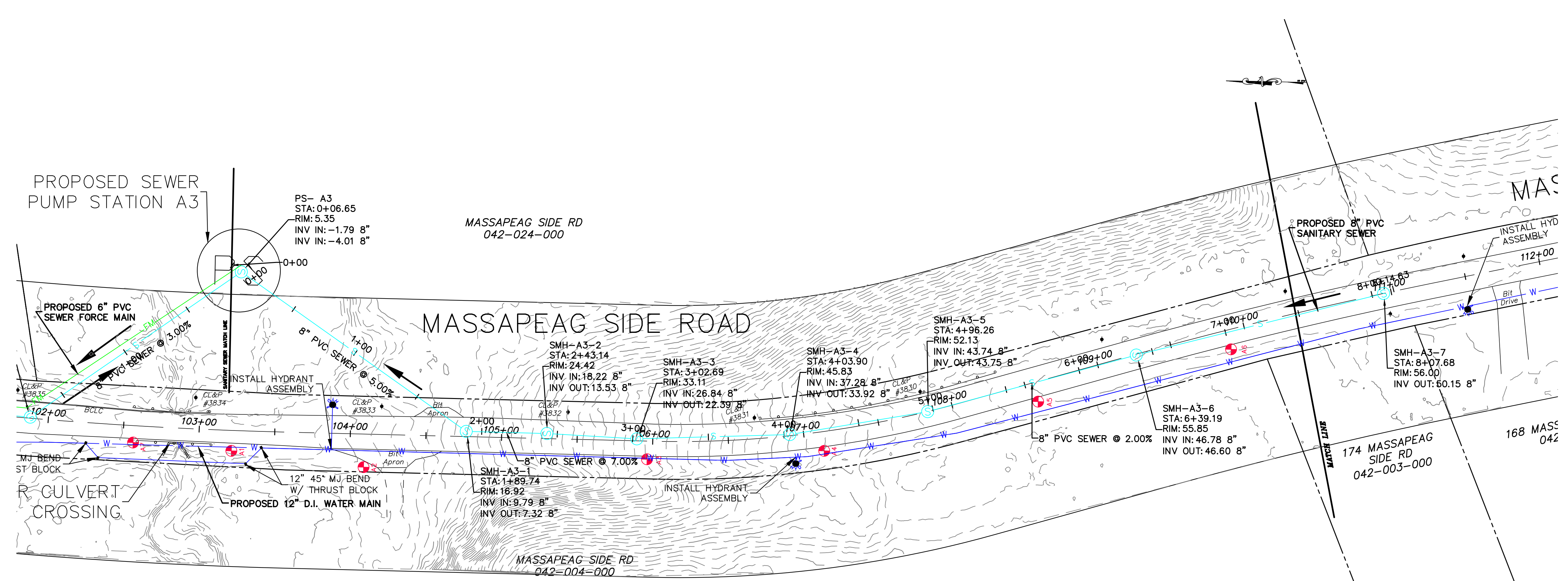
NOTES

- THIS PLAN IS COMPILED FROM OTHER MAPS, RECORD RESEARCH OR OTHER SOURCES OF INFORMATION. IT IS NOT TO BE CONSTRUED AS HAVING BEEN OBTAINED AS THE RESULT OF A FIELD SURVEY, AND IS SUBJECT TO SUCH CHANGE AS AN ACCURATE SURVEY MAY DISCLOSE.
- HORIZONTAL DATUM IS NAD 83. VERTICAL DATUM IS NAVD 88.
- PROPERTY LINES ARE BASED ON TOWN OF MONTVILLE ASSESSORS MAPS.
- TOPOGRAPHY IS FROM CONNECTICUT 2023 LIDAR DIGITAL ELEVATION MODEL (DEM)
- GEOGRAPHIC FEATURES ARE COMPILED FROM CONNECTICUT 2023 AERIAL IMAGERY.
- UNDERGROUND UTILITY, STRUCTURE AND FACILITY LOCATIONS DEPICTED AND NOTED HEREON HAVE BEEN COMPILED, IN PART, FROM RECORD MAPPING SUPPLIED BY THE RESPECTIVE UTILITY COMPANIES OR GOVERNMENT AGENCIES. THESE LOCATIONS MUST BE CONSIDERED AS APPROXIMATE IN NATURE. THE SIZE, LOCATION AND EXISTENCE OF ALL SUCH FEATURES MUST BE FIELD DETERMINED AND VERIFIED BY THE APPROPRIATE AUTHORITIES PRIOR TO CONSTRUCTION. CALL BEFORE YOU DIG 1-800-922-4455.

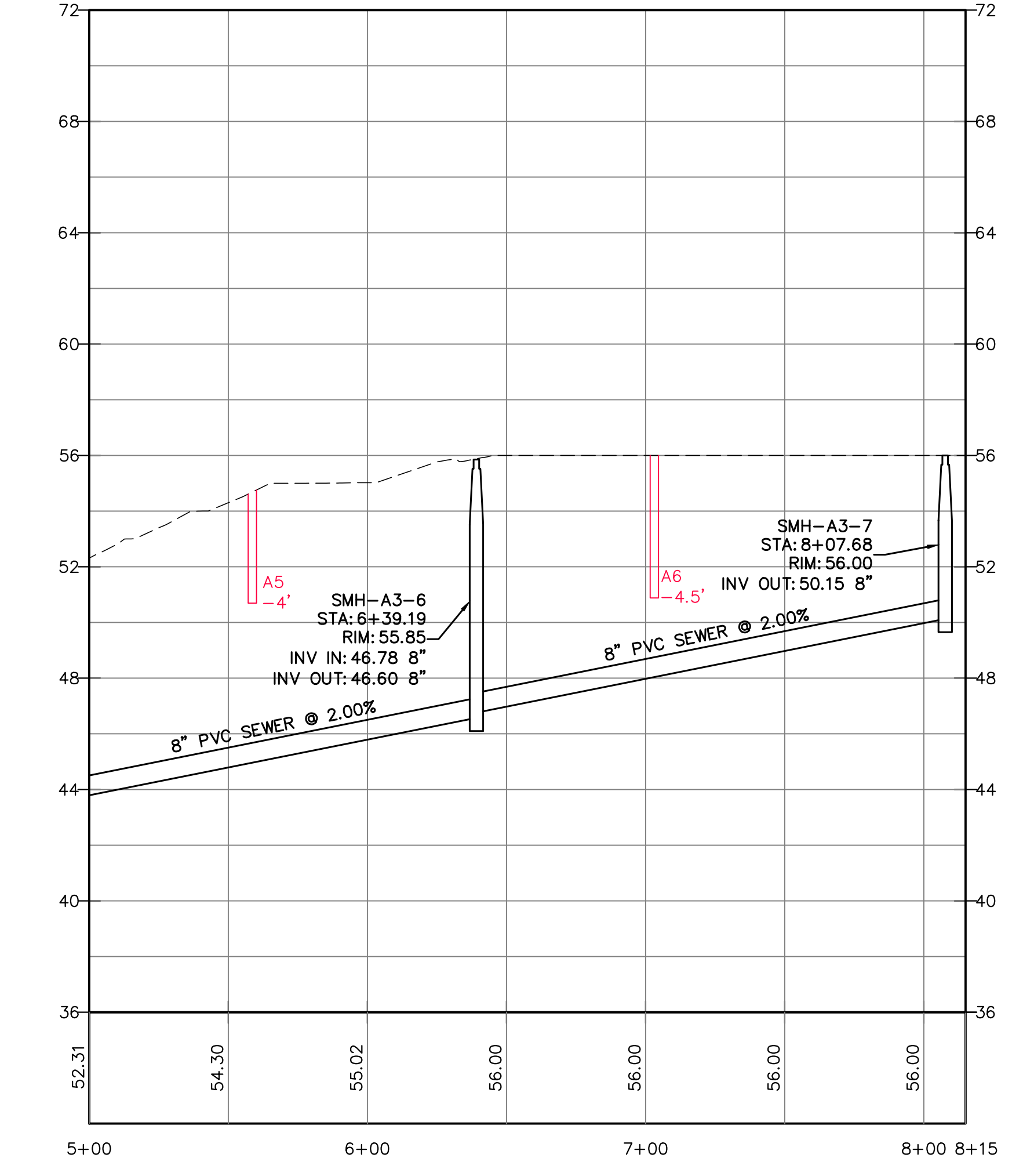
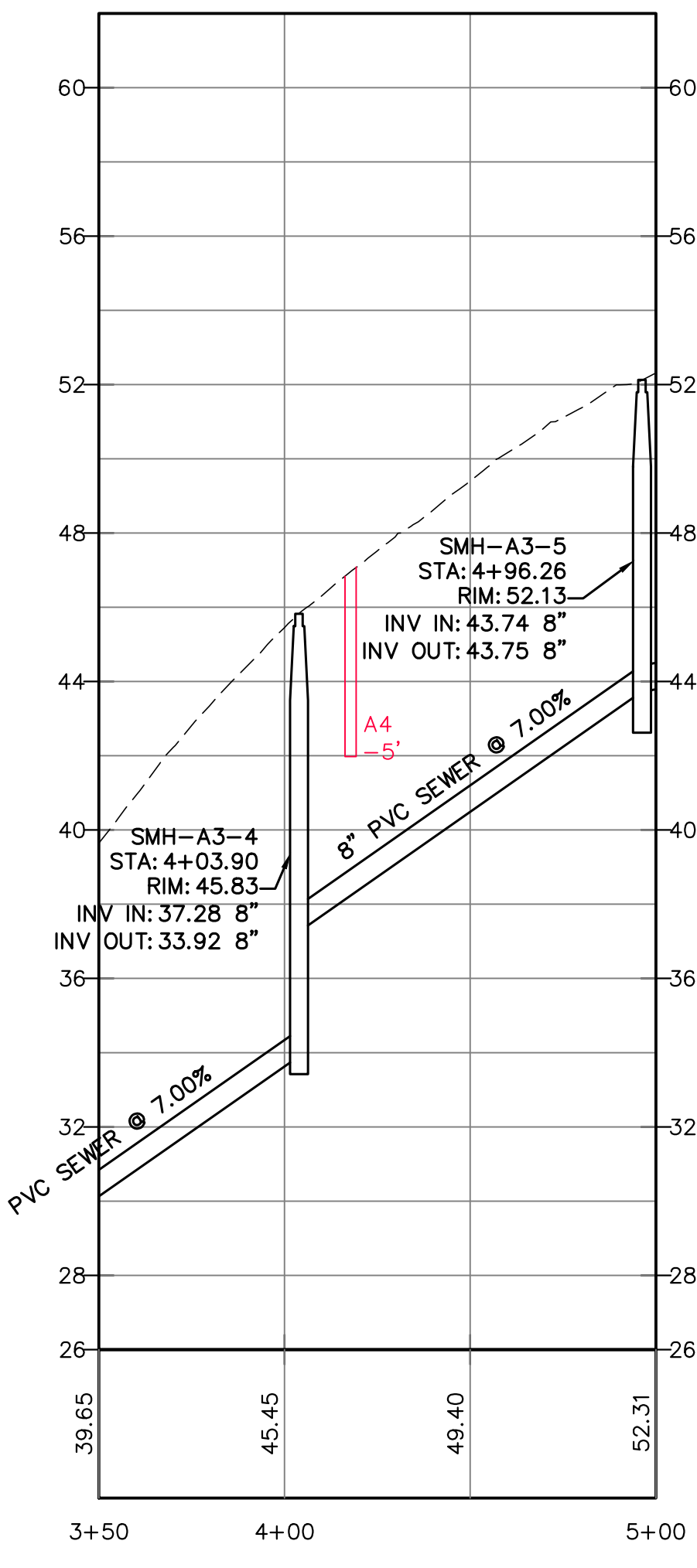
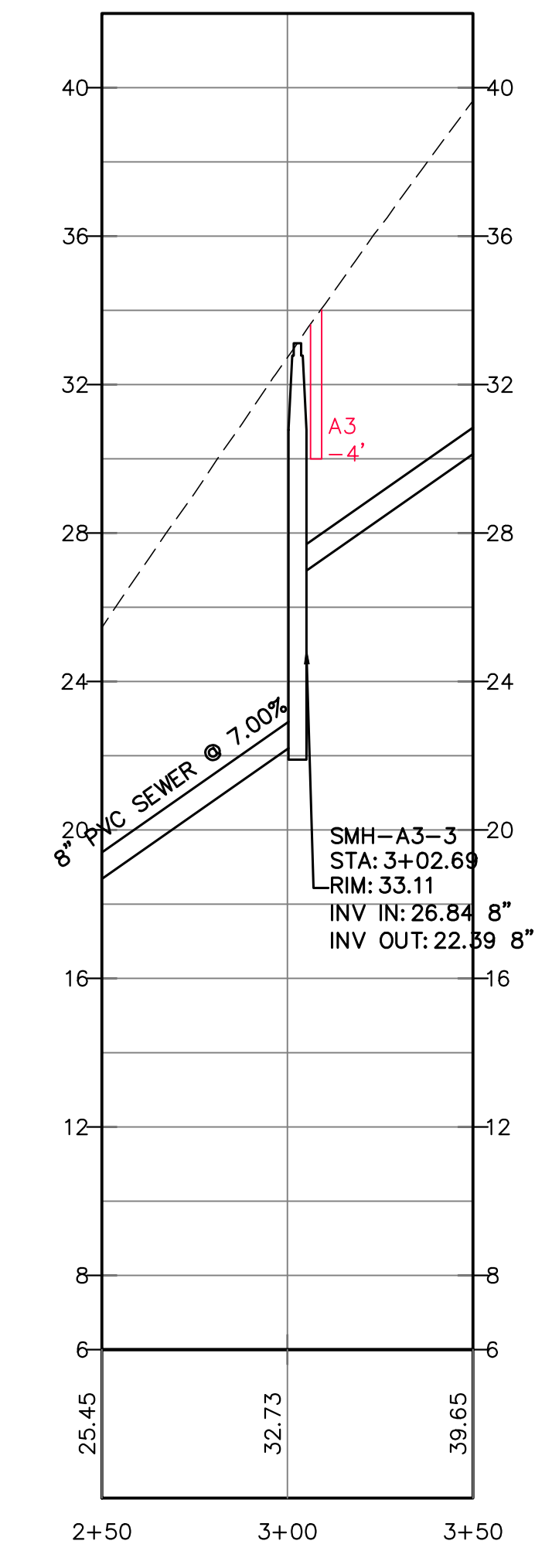
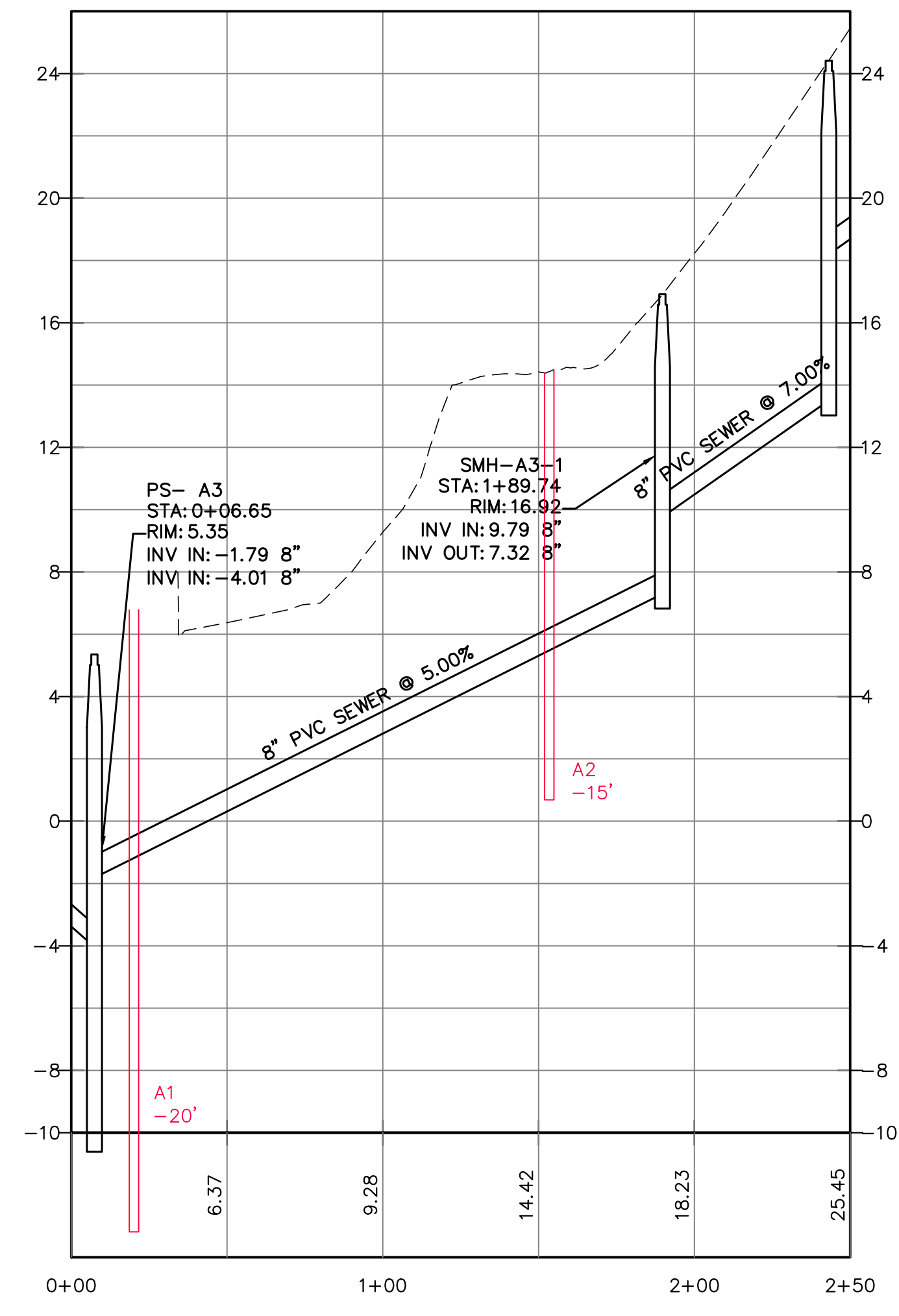


REV	DATE	DESCRIPTION	BY	CHK
DRAWING ISSUE STATUS				
NOT FOR CONSTRUCTION				
		HALEY WARD ENGINEERING ENVIRONMENTAL SURVEYING 2210 Main Street, P.O. Box 1088 Glastonbury, Connecticut 06033 860.659.3100		
		PROJECT ALL OF US NORTH LLC 27 NORTH ST, HYANNIS, MASSACHUSETTS 02601 WATER & SEWER INFRASTRUCTURE IMPROVEMENTS MONTVILLE, CONNECTICUT		
TITLE PRELIMINARY DESIGN PLANS				
DATE 2026.02.06		SCALE 1"=40'		
DRAWN BY KLD	DESIGNED BY JED	CHECKED BY JEE		
PROJECT No. 4010398.001				
DRAWING No. S2				

FILE LOCATION: P:\CT\40103989 - ALL OF US AT NORTH, LLC\989.001 MONTVILLE DEVELOPMENT 2025 - SMA02-CAD_FILES\CIVIL\PRODUCTION PLANS\SEWER DWG. 2026.03.24. 2:41 PM

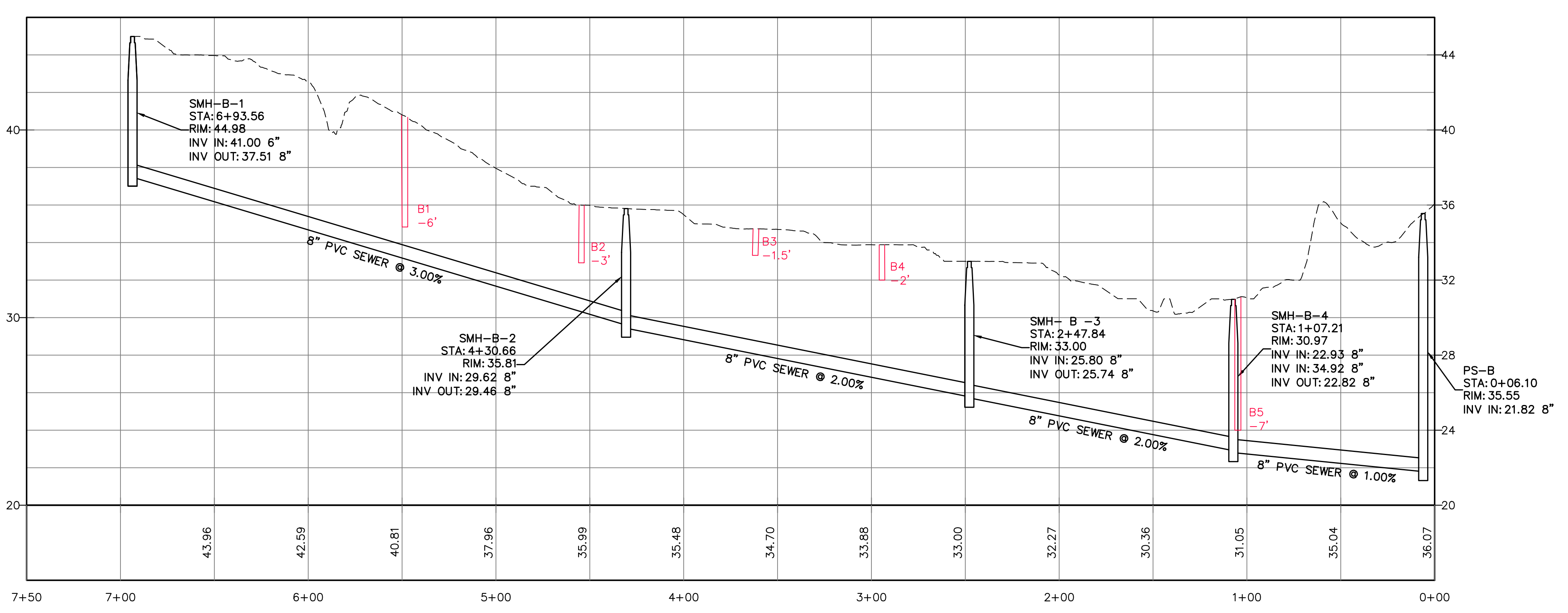
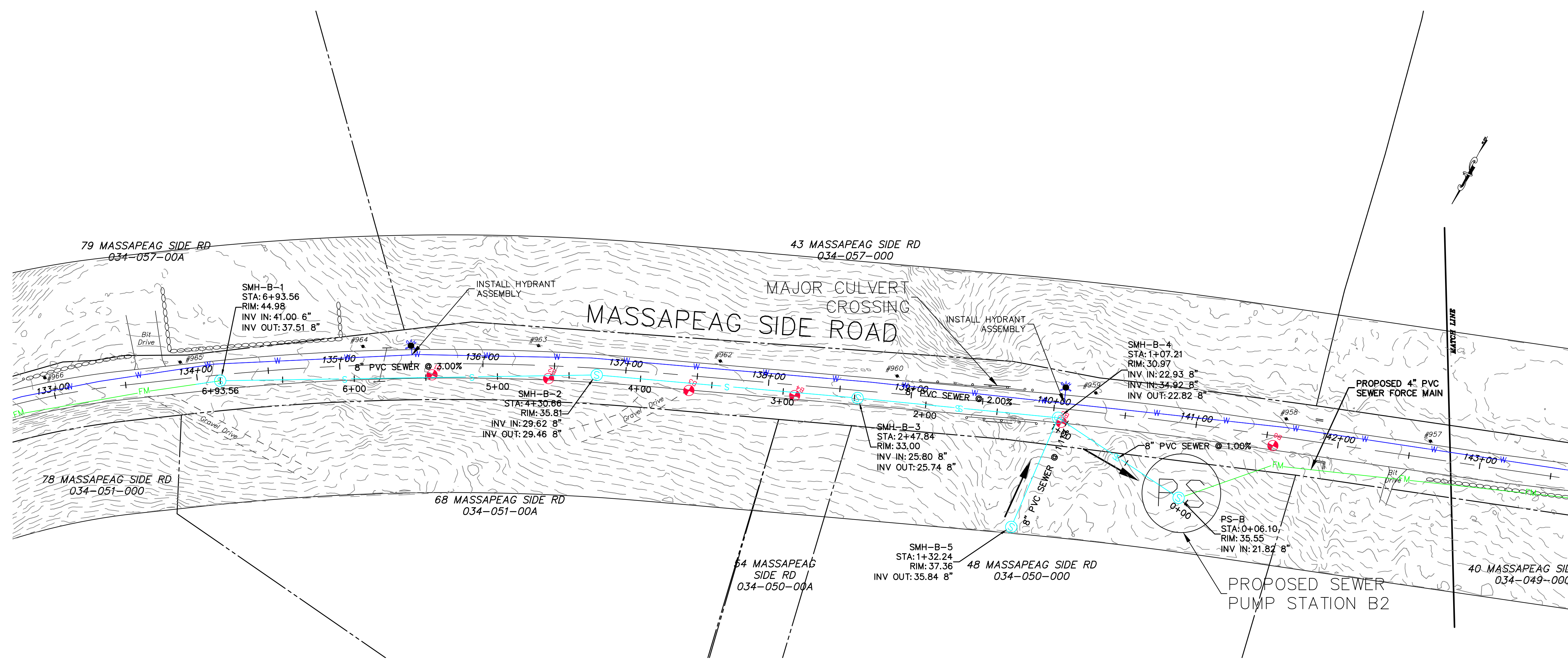


- ### NOTES
1. THIS PLAN IS COMPILED FROM OTHER MAPS, RECORD RESEARCH OR OTHER SOURCES OF INFORMATION. IT IS NOT TO BE CONSTRUED AS HAVING BEEN OBTAINED AS THE RESULT OF A FIELD SURVEY, AND IS SUBJECT TO SUCH CHANGE AS AN ACCURATE SURVEY MAY DISCLOSE.
 2. HORIZONTAL DATUM IS NAD 83. VERTICAL DATUM IS NAVD 88.
 3. PROPERTY LINES ARE BASED ON TOWN OF MONTVILLE ASSESSORS MAPS.
 4. TOPOGRAPHY IS FROM CONNECTICUT 2023 LIDAR DIGITAL ELEVATION MODEL (DEM).
 5. GEOGRAPHIC FEATURES ARE COMPILED FROM CONNECTICUT 2023 AERIAL IMAGERY.
 6. UNDERGROUND UTILITY, STRUCTURE AND FACILITY LOCATIONS DEPICTED AND NOTED HEREON HAVE BEEN COMPILED, IN PART, FROM RECORD MAPPING SUPPLIED BY THE RESPECTIVE UTILITY COMPANIES OR GOVERNMENT AGENCIES. THESE LOCATIONS MUST BE CONSIDERED AS APPROXIMATE IN NATURE. THE SIZE, LOCATION AND EXISTENCE OF ALL SUCH FEATURES MUST BE FIELD DETERMINED AND VERIFIED BY THE APPROPRIATE AUTHORITIES PRIOR TO CONSTRUCTION. CALL BEFORE YOU DIG 1-800-922-4455.



REV	DATE	DESCRIPTION	BY	CHK
DRAWING ISSUE STATUS				
NOT FOR CONSTRUCTION				
		HALEY WARD ENGINEERING ENVIRONMENTAL SURVEYING		
WWW.HALEYWARD.COM		2210 Main Street, P.O. Box 1088 Glastonbury, Connecticut 06033 860.659.3100		
PROJECT				
ALL OF US NORTH LLC 27 NORTH ST, HYANNIS, MASSACHUSETTS 02601 WATER & SEWER INFRASTRUCTURE IMPROVEMENTS MONTVILLE, CONNECTICUT				
TITLE				
PRELIMINARY DESIGN PLANS				
DATE		SCALE		
2026.02.06		1"=40'		
DRAWN BY	DESIGNED BY	CHECKED BY		
KLD	JED	JEE		
PROJECT No.				
4010398.001				
DRAWING No.				
S3				

FILE LOCATION: P:\CT\4010398 - ALL OF US AT NORTH, LLC\988.001 MONTVILLE DEVELOPMENT 2025 - SMA02-CAD_FILES\CIVIL\PRODUCTION PLANS\SEWER.DWG, 2026.03.24, 2:41 PM

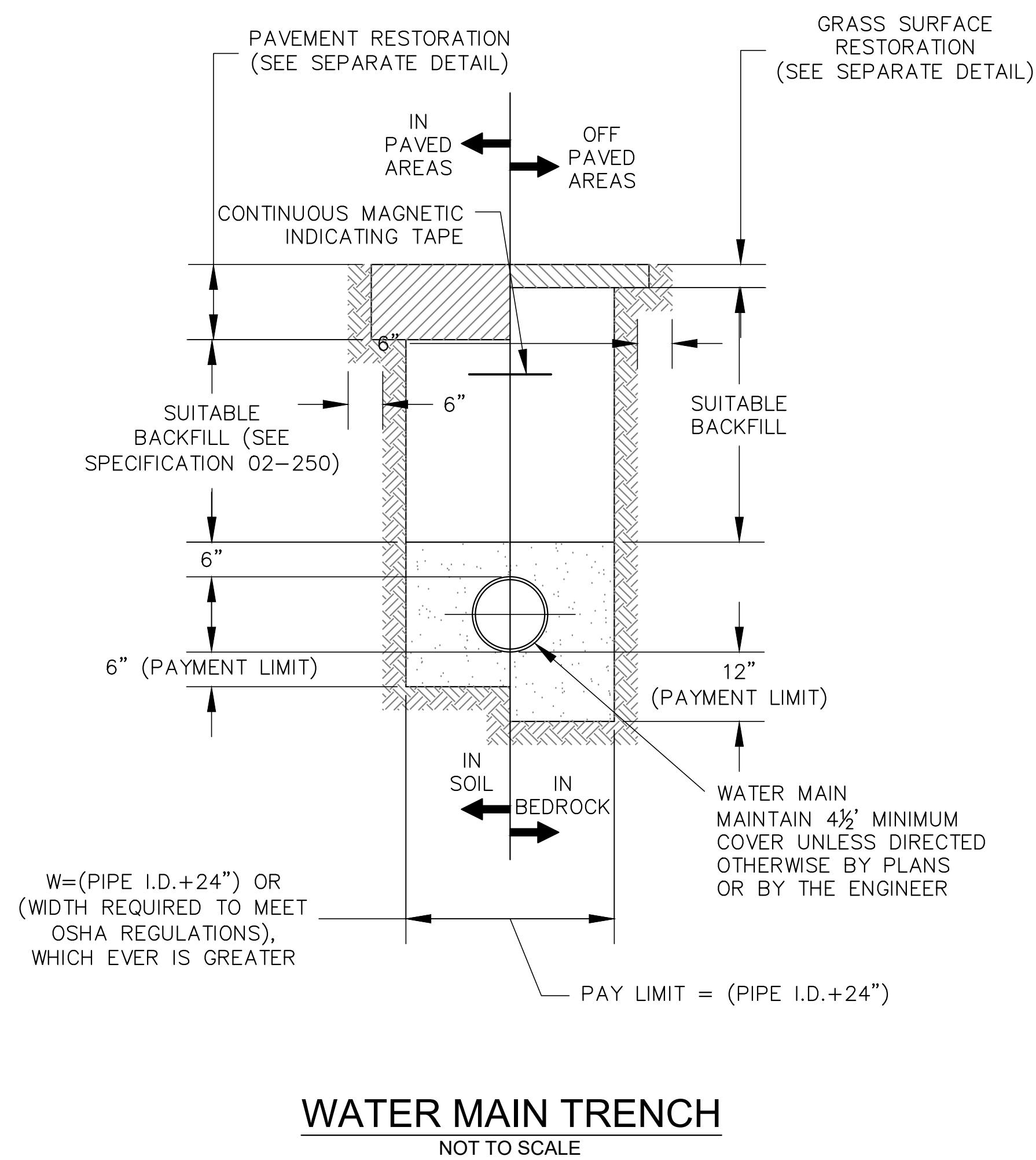
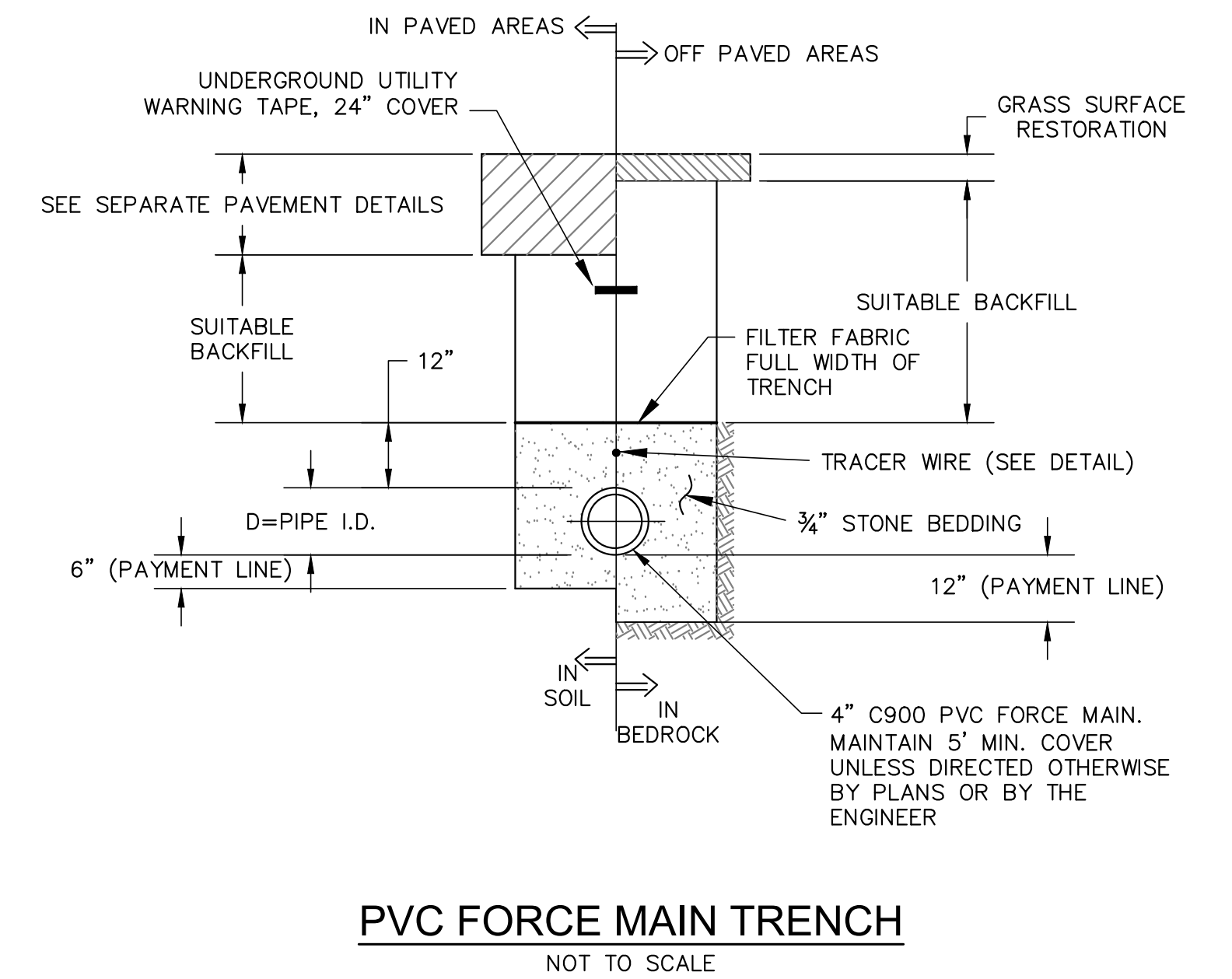
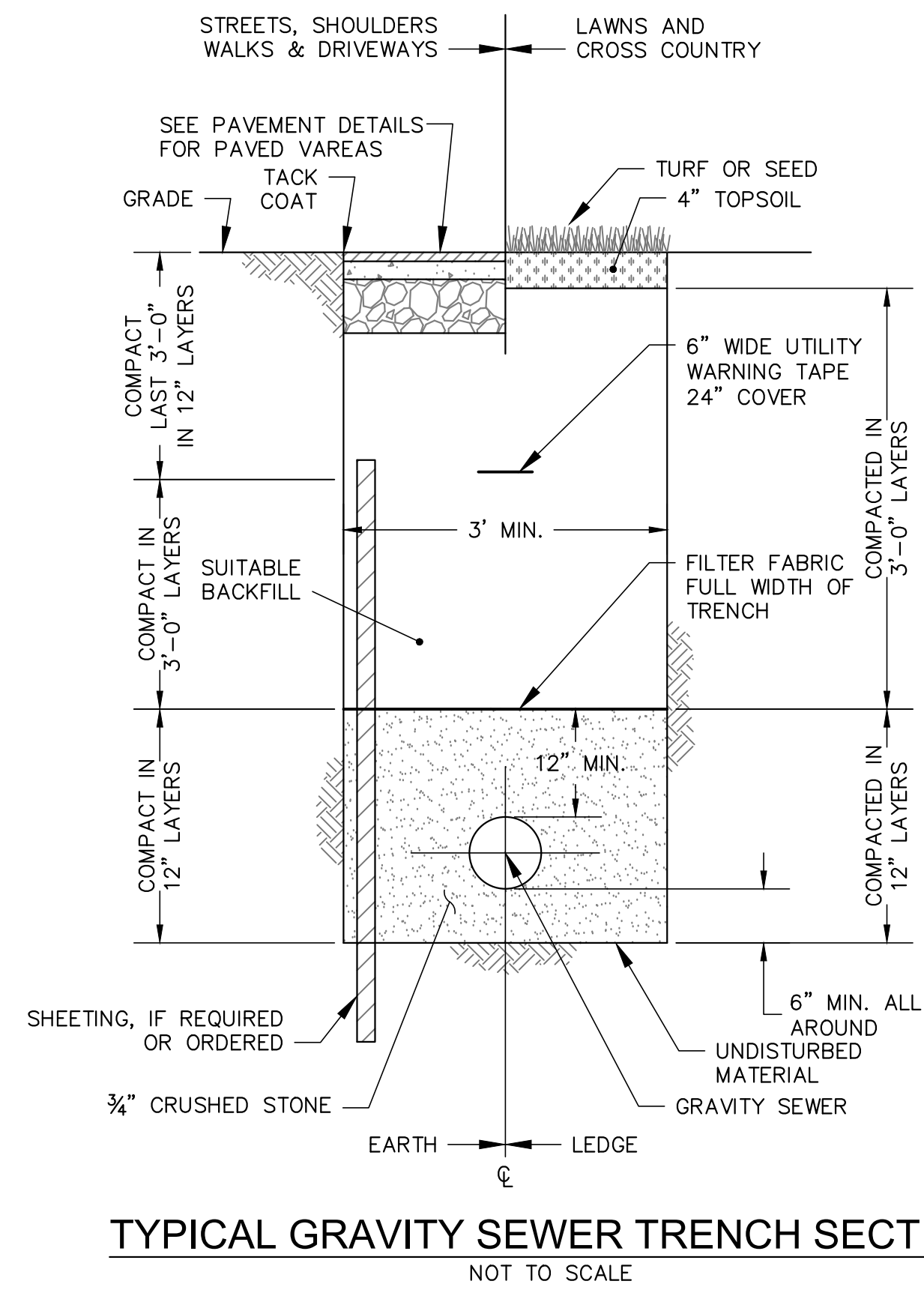
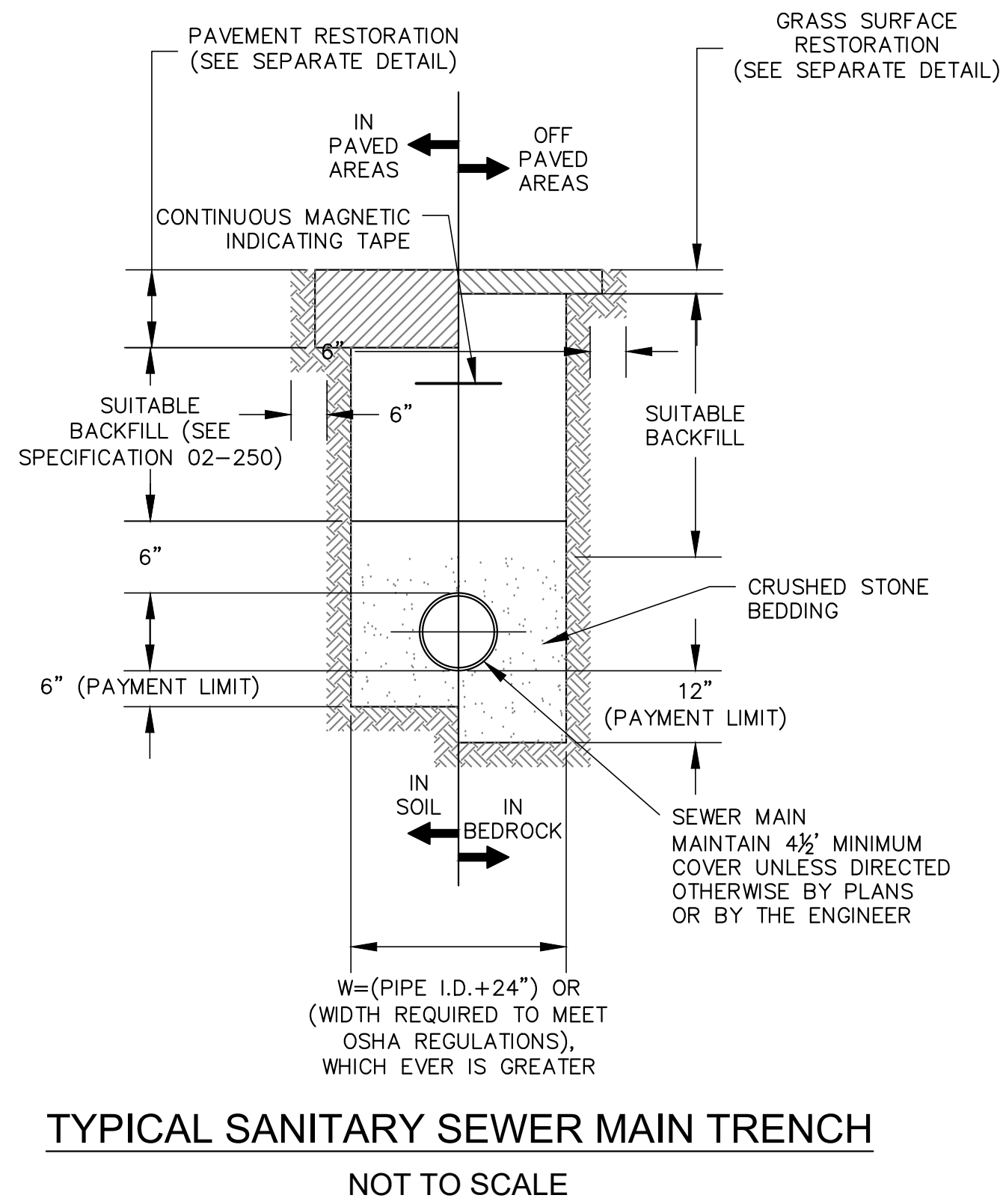



LEGEND

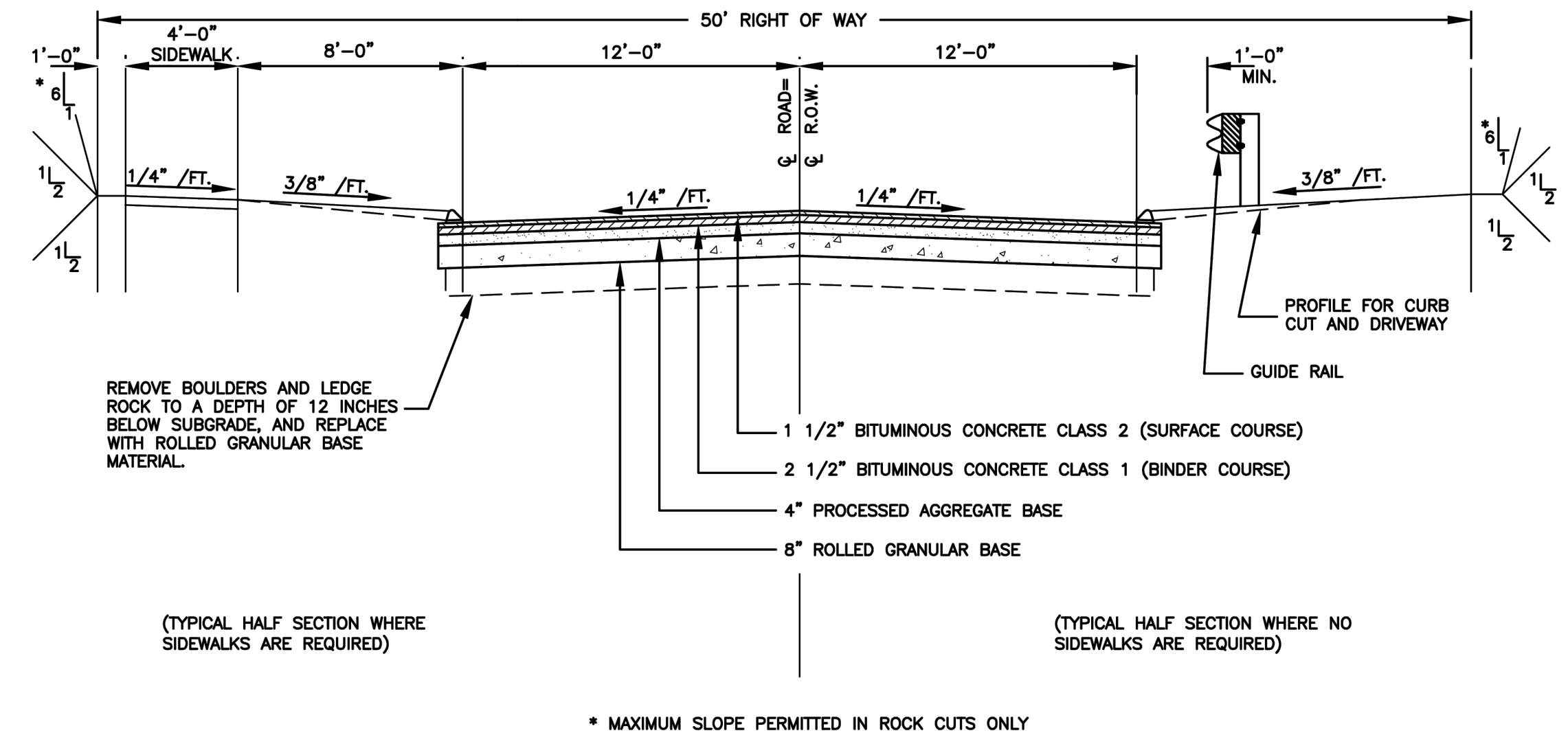
	APPROXIMATE BOUNDARY LINE
	DRAINAGE PIPE
	EXISTING SANITARY SEWER FORCE MAIN
	EXISTING SANITARY SEWER GRAVITY MAIN
	PROPOSED WATER MAIN
	PROPOSED SANITARY SEWER FORCE MAIN
	PROPOSED SANITARY SEWER GRAVITY MAIN
	METAL BEAM GUIDE RAIL
	UTILITY POLE
	HYDRANT

- ### NOTES
- THIS PLAN IS COMPILED FROM OTHER MAPS, RECORD RESEARCH OR OTHER SOURCES OF INFORMATION. IT IS NOT TO BE CONSTRUED AS HAVING BEEN OBTAINED AS THE RESULT OF A FIELD SURVEY, AND IS SUBJECT TO SUCH CHANGE AS AN ACCURATE SURVEY MAY DISCLOSE. HORIZONTAL DATUM IS NAD 83. VERTICAL DATUM IS NAVD 88.
 - PROPERTY LINES ARE BASED ON TOWN OF MONTVILLE ASSESSOR'S MAPS.
 - TOPOGRAPHY IS FROM CONNECTICUT 2023 LIDAR DIGITAL ELEVATION MODEL (DEM).
 - GEOGRAPHIC FEATURES ARE COMPILED FROM CONNECTICUT 2023 AERIAL IMAGERY.
 - UNDERGROUND UTILITY STRUCTURE AND FACILITY LOCATIONS DEPICTED AND NOTED HEREON HAVE BEEN COMPILED, IN PART, FROM RECORD MAPPING SUPPLIED BY THE RESPECTIVE UTILITY COMPANIES OR GOVERNMENT AGENCIES. THESE LOCATIONS MUST BE CONSIDERED AS APPROXIMATE IN NATURE. THE SIZE, LOCATION AND EXISTENCE OF ALL SUCH FEATURES MUST BE FIELD DETERMINED AND VERIFIED BY THE APPROPRIATE AUTHORITIES PRIOR TO CONSTRUCTION. CALL BEFORE YOU DIG 1-800-922-4455.

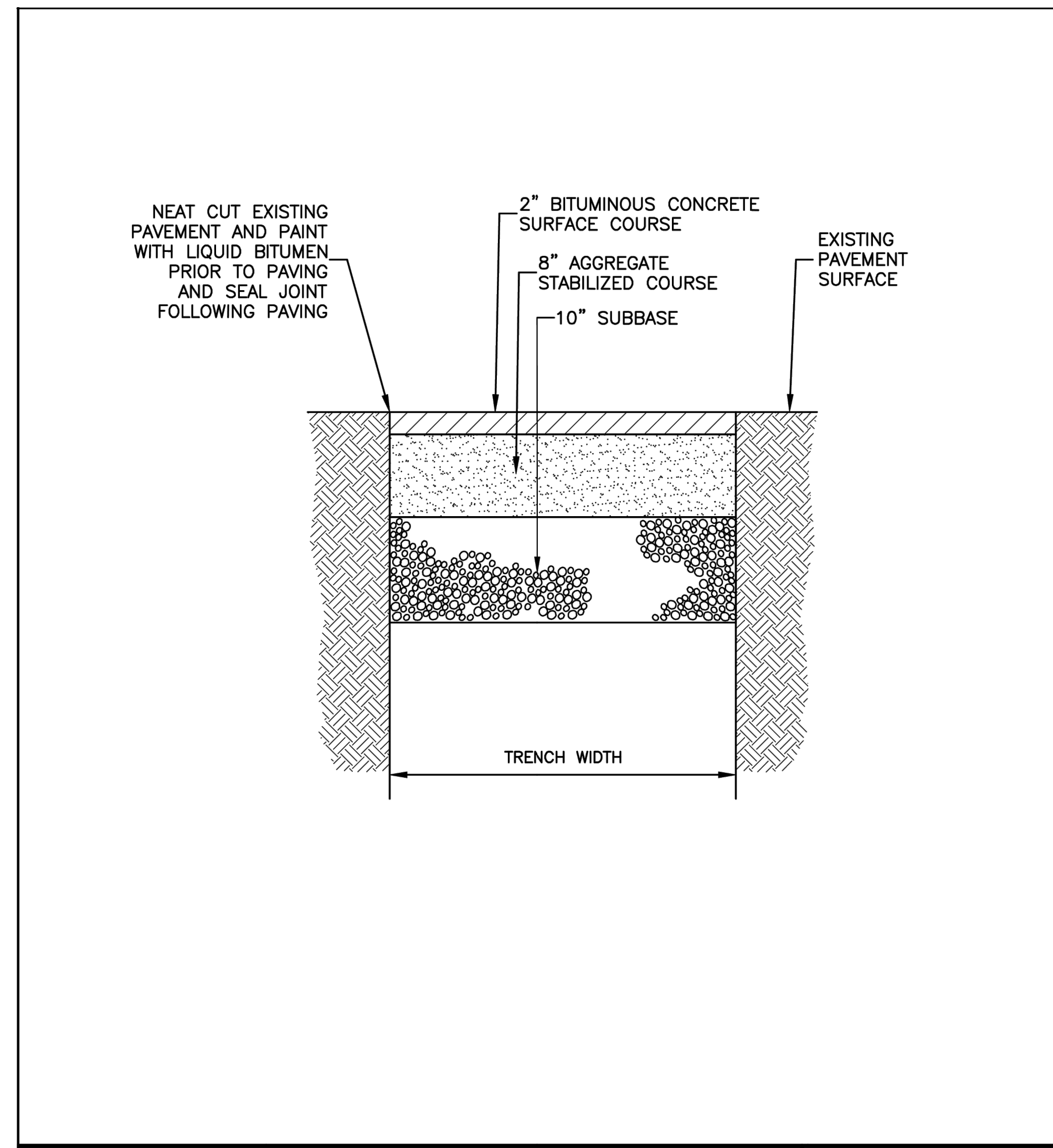
REV	DATE	DESCRIPTION	BY	CHK
DRAWING ISSUE STATUS				
NOT FOR CONSTRUCTION				
		HALEY WARD ENGINEERING ENVIRONMENTAL SURVEYING		
WWW.HALEYWARD.COM		2210 Main Street, P.O. Box 1088 Glastonbury, Connecticut 860.659.3100		
PROJECT				
ALL OF US NORTH LLC 27 NORTH ST. HYANNIS, MASSACHUSETTS 02601 WATER & SEWER INFRASTRUCTURE IMPROVEMENTS MONTVILLE, CONNECTICUT				
TITLE				
PRELIMINARY DESIGN PLANS				
DATE		SCALE		
2026.02.06		1"=40'		
DRAWN BY	DESIGNED BY	CHECKED BY		
KLD	JED	JEE		
PROJECT No.				
4010398.001				
DRAWING No.				
S4				



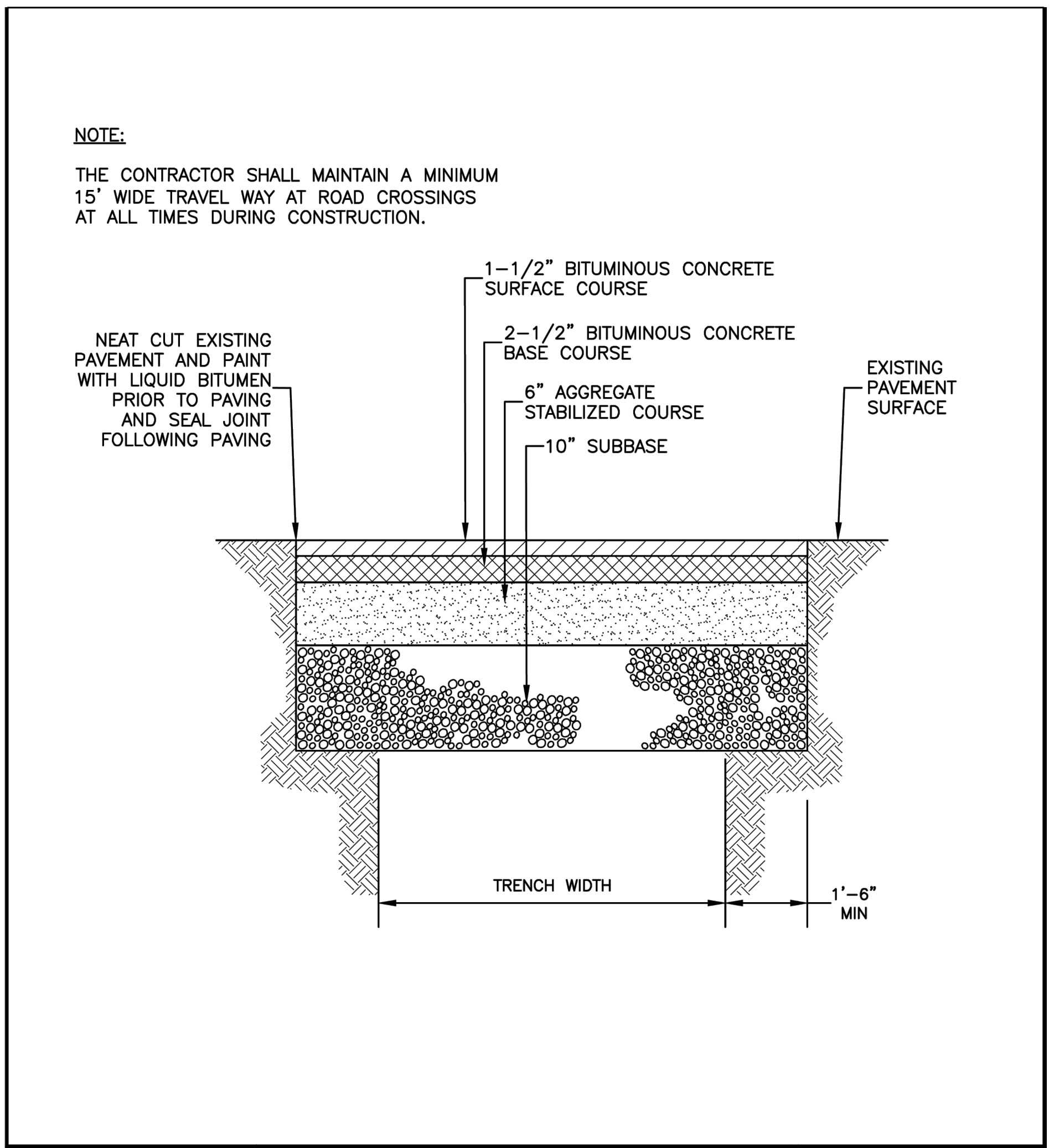
 HALEY WARD ENGINEERING ENVIRONMENTAL SURVEYING WWW.HALEYWARD.COM		2210 Main Street, P.O. Box 1088 Glastonbury, Connecticut 860.659.3100	
PROJECT ALL OF US NORTH LLC 27 NORTH STREET, HYANNIS, MASSACHUSETTS 02601 WATER & SEWER INFRASTRUCTURE IMPROVEMENTS MONTVILLE, CONNECTICUT			
TITLE UTILITY TRENCH DETAILS			
DATE	2026.03.04	SCALE	AS NOTED
DRAWN BY	KLD	DESIGNED BY	JED
		CHECKED BY	JEE
PROJECT No.		4010398.26001	
DRAWING No.		D1	



CLA	STANDARD DETAIL DRAWING	REGULATIONS FOR PUBLIC IMPROVEMENTS
	TYPICAL ROAD SECTION	DATE: JANUARY 2015
REVISIONS	SCALE: NONE	FIGURE 1



CLA	STANDARD DETAIL DRAWING	REGULATIONS FOR PUBLIC IMPROVEMENTS
	TEMPORARY PAVEMENT REPAIR	DATE: FEBRUARY 2015
REVISIONS	SCALE: NONE	FIGURE 19



CLA	STANDARD DETAIL DRAWING	REGULATIONS FOR PUBLIC IMPROVEMENTS
	PERMANENT PAVEMENT REPAIR	DATE: FEBRUARY 2015
REVISIONS	SCALE: NONE	FIGURE 20

HALEY WARD
ENGINEERING | ENVIRONMENTAL | SURVEYING
WWW.HALEYWARD.COM
2210 Main Street, P.O. Box 1088
Glastonbury, Connecticut 860.659.3100

PROJECT: ALL OF US NORTH LLC
27 NORTH STREET, HYANNIS, MASSACHUSETTS 02601
WATER & SEWER INFRASTRUCTURE IMPROVEMENTS
MONTVILLE, CONNECTICUT

TITLE: TOWN OF MONTVILLE
ROADWAY RECONSTRUCTION DETAILS

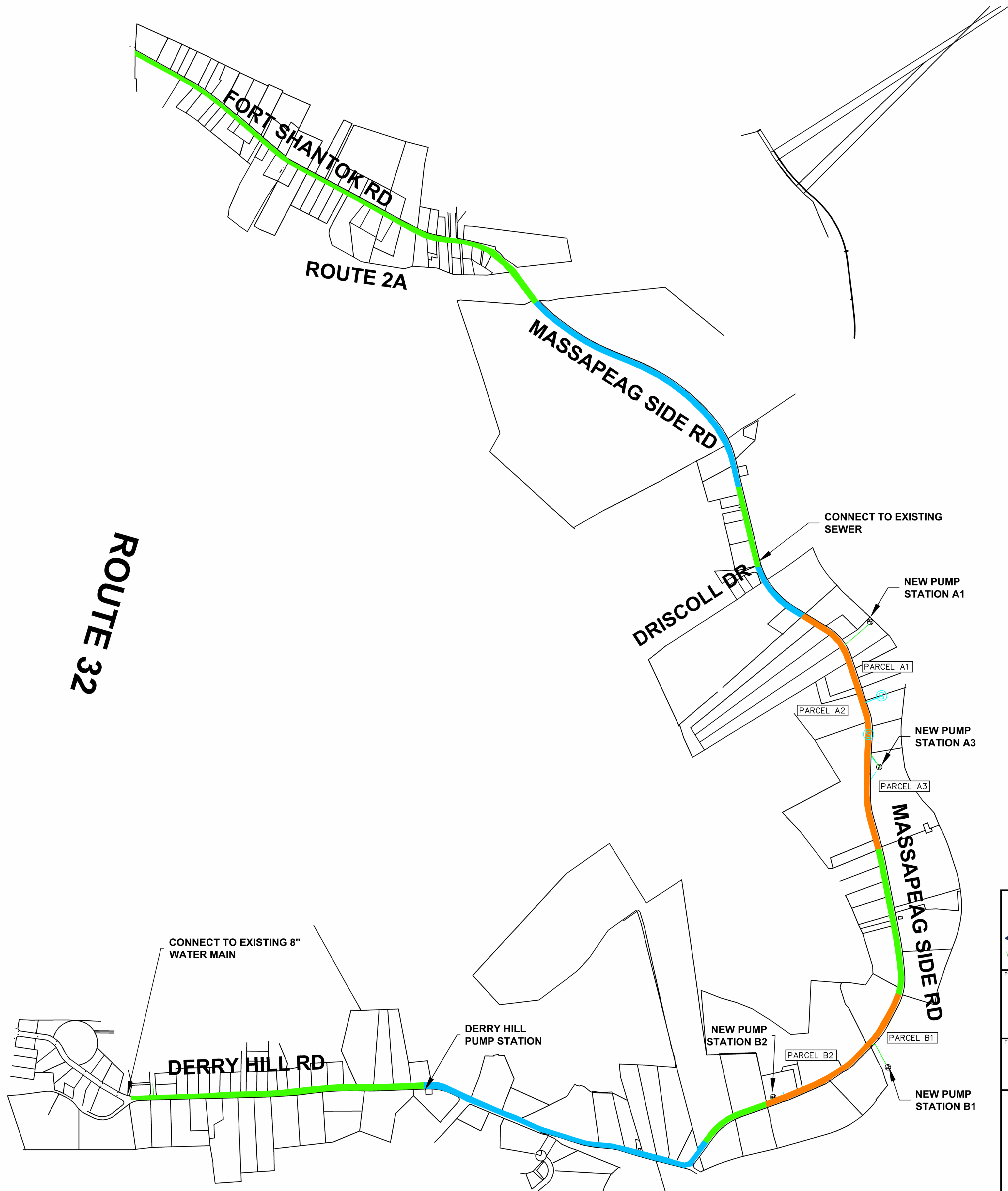
DATE: 2026.03.24	SCALE: AS NOTED
DRAWN BY: KLD	DESIGNED BY: JED
CHECKED BY: JEE	
PROJECT No: 4010398.26001	
DRAWING No: D2	

FILE LOCATION: P:\CT\4010398 - ALL OF US AT NORTH, LLC\988.001 MONTVILLE DEVELOPEMENT 2025 - SMA\02-CAD_FILES\CIVIL\PRODUCTION PLANS\988.001 DETAILS.DWG, 2026.03.24, 2:22 PM

FILE LOCATION: P:\CT\4010398 - ALL OF US AT NORTH, LLC\988.001 MONTVILLE DEVELOPEMENT 2025 - SMA02-CAD FILES\CIVIL\PRODUCTION PLANS\SEWER.DWG, 2026.03.26, 9:10 AM

LEGEND

- TEMPORARY TRENCH PATCH, PERMANENT PAVEMENT, TWO LANE MILL AND OVERLAY
- TEMPORARY TRENCH PATCH, PERMANENT PAVEMENT, SINGLE LANE MILL AND OVERLAY
- TEMPORARY TRENCH PATCH AND FULL DEPTH ROAD RECONSTRUCTION



HALEY WARD
 ENGINEERING | ENVIRONMENTAL | SURVEYING
 2210 Main Street, P.O. Box 1088
 Glastonbury, Connecticut 06033
 860.659.3100
WWW.HALEYWARD.COM

PROJECT: ALL OF US AT NORTH LLC
 27 NORTH ST, HYANNIS, MASSACHUSETTS 02601
 WATER & SEWER INFRASTRUCTURE IMPROVEMENTS
 MONTVILLE CT

TITLE: PAVING PLAN

DATE	2026.03.26	SCALE	1"=500'
DRAWN BY	DESIGNED BY	CHECKED BY	
PROJECT No.	4010398.001	CERTIFICATE OF AUTHORIZATION No.	C.O.A. No.
DRAWING No.	D3		REV.